

WIRELESS PROGRAMMABLE THERMOSTAT

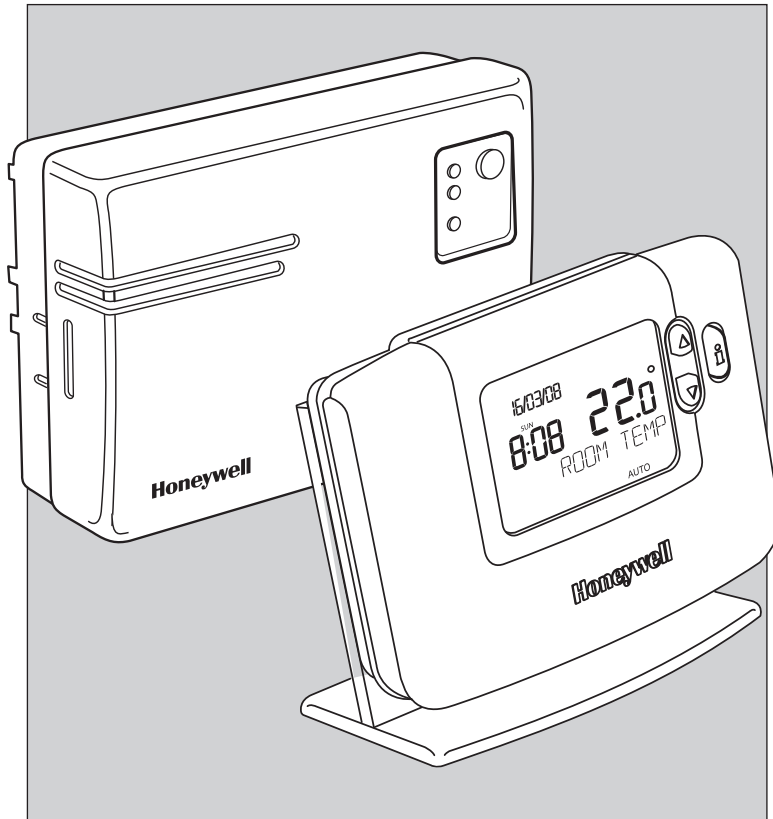
CM921/CM927

FEATURES

- Wireless communication between thermostat and receiver box – supplied pre-bound
- Auto, manual, holiday and off (frost) modes
- Memory holds user programme even when batteries are changed
- Automatic summer/winter time change
- Extra large LCD display with user friendly Line of Text™
- Up to six time/temperature settings per day
- Synchronised boiler control in multi-zone systems for optimum efficiency
- Boiler 'ON' display
- Volt free connections

OPTIONS

- **CM921**
1 day programming
- **CM927**
7 day programming with 'party' and 'day off' overrides



APPLICATION

The CM920 series of Wireless Programmable Thermostats are designed to provide wireless time and temperature control to heating or cooling systems in domestic and light commercial buildings.

The thermostat communicates heating demand by radio frequency (RF) signals to the receiver, which is located in the most convenient position for ease of wiring into the system.

The slim, ultra modern design complements the large LCD screen with the Line of Text (LoT™) display and one function button to ensure simplified programming and operation for all users.

The CM920 series can be used to control the heating circuit in a Sundial S or Y Plan and is particularly well suited to control combination boiler installations or additional zones in a S Plan Plus system.

The CM921 has been designed for applications where the householder has the same heating needs from day to day, whereas the CM927 has the capability to provide a different heating programme for each day of the week to maximise energy efficiency.

Two wire, volt free connections are ideal for use with combination boilers.

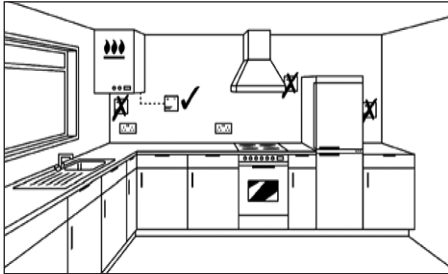
HEATING CONTROLS

Honeywell

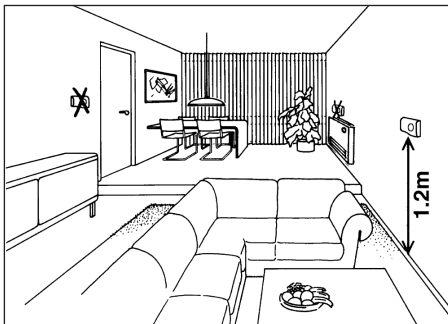
WIRELESS PROGRAMMABLE THERMOSTAT CM921/CM927

Installation

The **R6660** Receiver Box should be installed in clear spaces. Leave at least 30cm distance from any metal objects including pipes and at least 1m from any other electrical equipment e.g. radio, TV or computer etc. **Do not mount on metal wall boxes.**



The **CM921/927** thermostat must be located where it is not subjected to extraneous heat gains, direct sunlight or draughts.



Ordering Specification

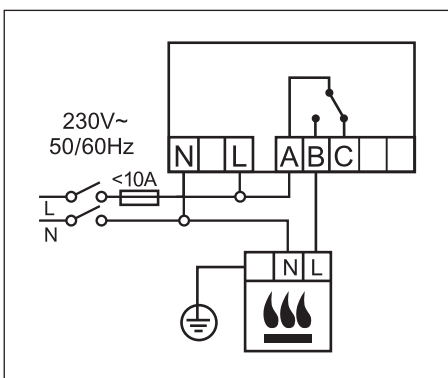
CMT921A1042

1 day Wireless Programmable Thermostat complete with pre-bound Receiver Box, batteries, fixing screws and instructions

CMT927A1049

As above, with 7 day program

Typical Wiring



Specification

Switch Rating	: 24V~ 240V~ 50Hz, 10A resistive, 3A inductive
Switch Type	: Single pole, double throw (SPDT) relay
Power Supply – Thermostat	: Two AA size, 1.5V alkaline batteries
Receiver	: 230VAC, 50Hz (2.5mm ² cable max.)
Battery Life	: Minimum 2 years
RF Operation Band	: ISM (868.0-868.6) MHz, 1% duty cycle
RF Communication Range	: 30m max, in a domestic environment
Temperature Setting Range	: 5 to 35°C (adjustable) in 0.5°C steps
Temperature Display Range	: 0 to 50°C
Frost Protection	: 5 to 16°C in 0.5°C steps
Temperature Control Accuracy	: ± 0.5K at 20°C (50% load, 3K/hr)
Time Setting Resolution	: Time of day: 1 minute Programme time changes: 10 minutes
Operating Temperature and Humidity Range	: 0 to 40°C 10 to 90% RH, non-condensing
Storage Conditions	: -20 to 55°C 0 to 90% RH, non condensing
Time Display	: 12 hr clock (with AM/PM indication) default but changeable to 24 hr
Application Settings (See installation instructions)	: Boiler cycle rate 3, 6 (default), 9, 12/hr Min. ON time 1(default) to 5 min, adjustable Proportional bandwidth 1.5°C, adjustable Temperature offset -3 to +3°C
IP Rating	: IP30
Standards	: Complies with BS EN60730-1 (2000), BS EN55014-1(1997), EN55014-2 (1996), ETSI EN300 220-3 (2000), ETSI EN301 489-3 (2000)



Dimensions (mm)

