

SEALED SYSTEM FILLING VALVE

VF06

FEATURES

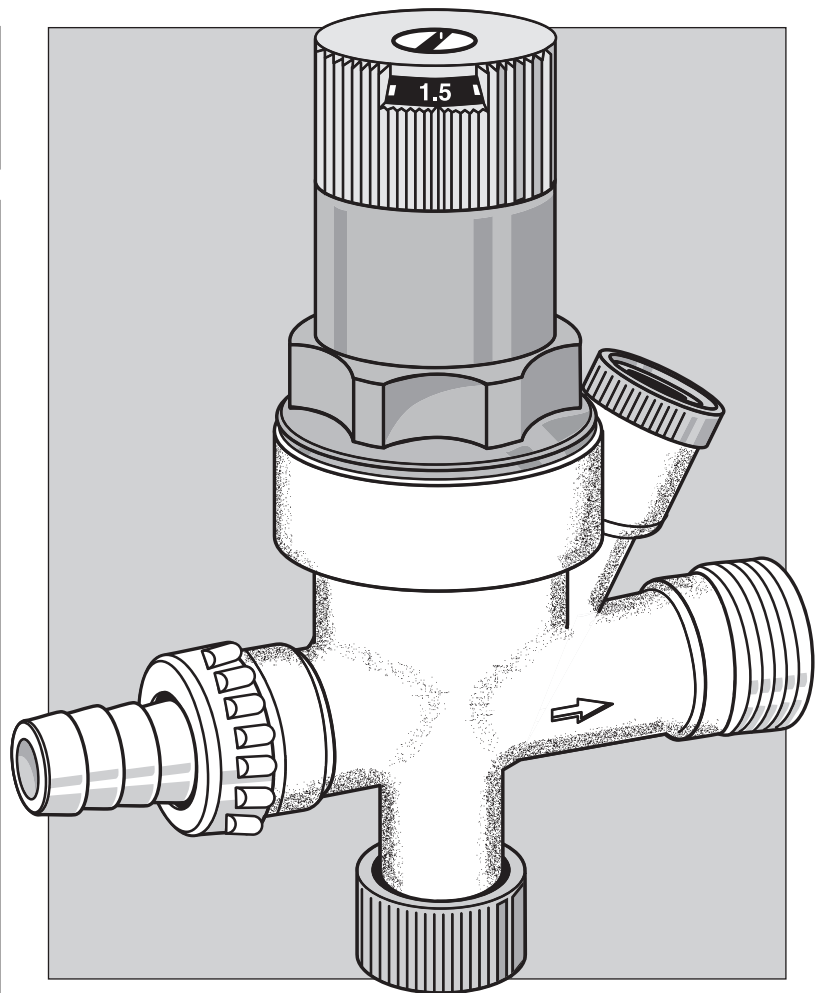
- Automatic filling
- Unique and simple adjustment mechanism
- Integral stop valve
- Integral non return valve
- Integral strainer
- Pressure gauge tapping

ACCESSORY

- MF126 - A4
Pressure gauge with 0 to 4 bar range

OPTIONS

- Hose union or threaded union connector



APPLICATION

The VF06 is a combination filling valve for sealed heating systems, incorporating a pressure reducing valve, stop valve, a non return valve and hose connections.

Factory set to 1.5 bar, the VF06 can be adjusted on site to between 0.5 and 3 bar.

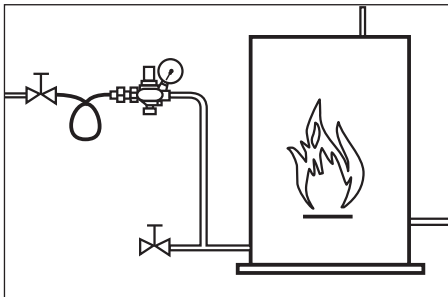
The VF06 ensures that the system is not inadvertently over pressurised while filling, which can cause damage to heat exchangers, expansion vessels and joints. It also enables quick and trouble free refilling of the system should pressure loss occur.

NON-ELECTRIC CONTROLS

Honeywell

Installation

The VF06 should be fitted permanently to the system, however UK Water Byelaws require a temporary connection to the water mains. This is normally achieved through a flexible hose which makes the VF06 - 1/2 A particularly suitable. Because the VF06 incorporates a pressure reducing valve, filling is



automatic and the valve does not have to be supervised during the charging process. This allows the installer freedom to bleed the system at the radiators or through any other air vents fitted.

Ordering Specification

VF06 - 1/2 A
Filling valve with 1/2" hose connection

VF06 - 1/2 B
Filling valve with 1/2" threaded union connection

MF126 - A4
0 - 4 Bar pressure gauge with 1/4" connection

D06FA - 1/2
Spare valve insert complete

Specification

Maximum Working Pressure	: 16 bar
Maximum Temperature	: 70°C
Outlet Pressure	: Adjustable 0.5 - 3.0 bar
Factory Set	: 1.5 bar
Connection Size	: 1/2" BSP female & 3/4" BSP male
Pressure Gauge Tapping	: 1/4" BSP
Housing Material	: Brass

Dimensions (mm)

