

DUAL AQUASTAT IMMERSION THERMOSTAT

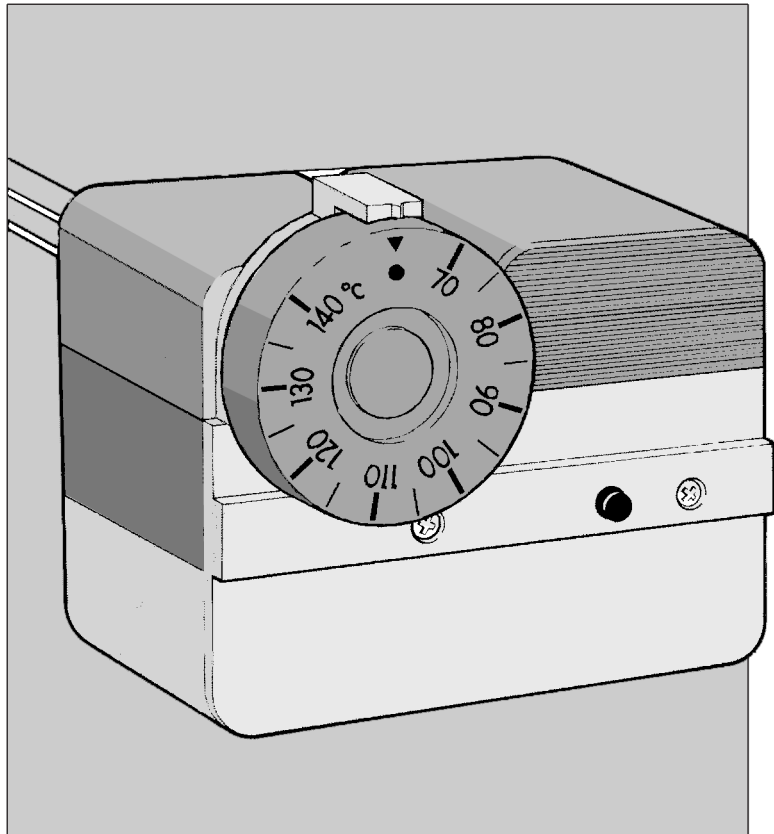
L6191A/B

FEATURES

- Fast thermal response
- Combined controller and limit
- Double insulated
- Easy to wire terminals

OPTIONS

- Gold plated limit contacts for use in thermocouple/ECO applications



APPLICATION

The L6191 Dual Aquastat combines both the controller and limit Thermostats into one common unit, requiring only one direct immersion well. The controller and limit heads are provided with a jumper to minimise wiring.

The controller has an external adjustment, while the limit has concealed adjustment with manual reset feature.

HEATING CONTROLS

Honeywell

4.17

DUAL AQUASTAT IMMERSION THERMOSTAT

L6191A/B

Installation

The **L6191** Dual Aquastat is a combined direct immersion water temperature controller and high limit control for atmospheric boilers and hot water cylinders.

The temperature probes should be inserted in $\frac{1}{2}$ " dry well.

Ordering Specification

L6191A2015

Controller, setting 25 to 95°C, Diff. 4°C. Limit fixed at 101°C with gold contacts. No internal link

L6191B2005

Controller, setting 25 to 95°C, Diff. 4°C. TP Limit, setting 40 to 110°C with manual reset and well assembly

L6191B2021

Controller, setting 70 to 140°C, Diff. 4 to 10°C. TP Limit, setting 40 to 110°C with manual reset and well assembly

45.900.409-007B

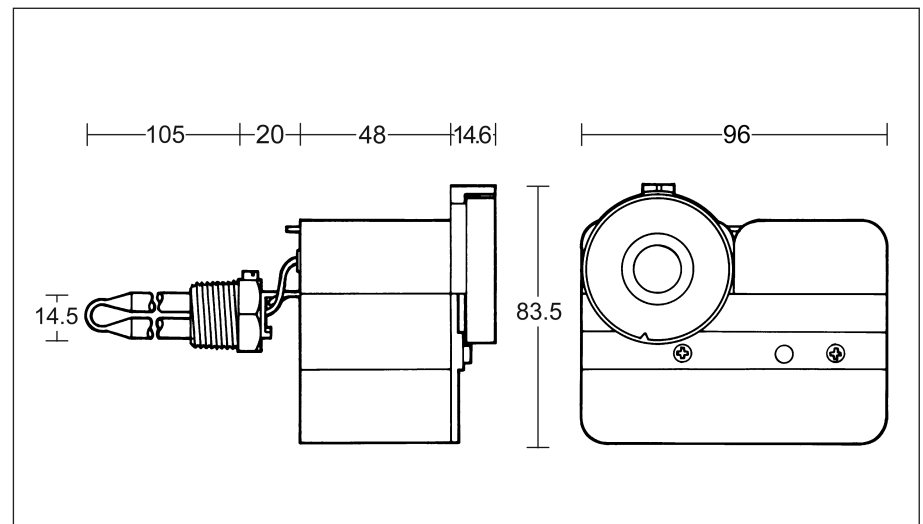
Dual dry well assembly for above. $\frac{1}{2}$ " BSPT thread. Length 105mm

TP = Tamperproof. Temperature adjustment from dial under top cover.

Specification

Switch Rating	: 250VAC, 10A resistive, 2.5A inductive
Switch Type	: Single pole, double throw (SPDT)
Ambient Temperature Range	: 0 to 70°C
IP Rating	: IP40
Standards	: CE, UL, AGA, CSA
Approvals	: 73/23/EEC, DIN3440

Dimensions (mm)



Wiring

