

PIPE THERMOSTATS

L6190/L641B

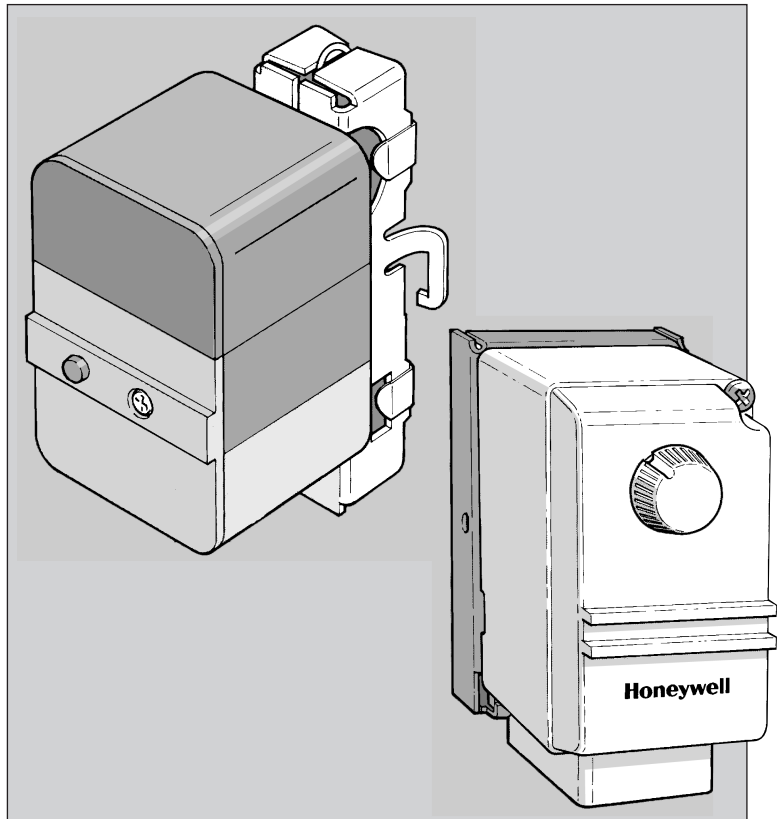
FEATURES

L6190

- Ideal for solid fuel applications
- Fast thermal response
- Surface mounted
- Large temperature range
- Double insulated
- Manual reset model
- Adjustable switching differential

L641B

- Ideal for pumped systems
- Tamperproof adjustment option
- High & low limit models
- Bi-metal strip sensor
- Surface mounted



APPLICATION

The L6190B is a Control Thermostat, which has a tamperproof concealed adjustment. The liquid filled probe means highly responsive temperature control ideal for solid fuel applications. The switch differential is adjustable.

The L6190C is a high limit Thermostat which requires manual resetting each time the contacts break on temperature rise. Typically used on unvented cylinder applications.

The L641B is a control Thermostat designed to provide high or low limit or frost protection in heating and hot water systems.

HEATING CONTROLS

Honeywell

Installation

The **L6190** and **L641** can be installed horizontally or vertically. The Thermostats can be fixed to the surface of a cylinder or pipework using the mounting straps provided and do not require the system to be drained.

Ordering Specification

L6190B2030

TP Controller, setting 25 to 95°C, Diff. 4 to 10°C. With pipe strap. For solid fuel applications

L6190C2004

TP Limit, internal setting 25 to 95°C, Diff. 8°C with manual reset

L641B1004

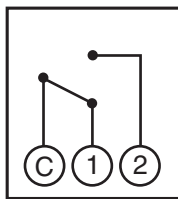
Controller, setting 10 to 40°C, min. setting 2°C. With pipe fixing springs. Used with T4360A thermostat for Frost Protection Kit

L641B1012

Controller, setting 50 to 95°C. With pipe fixing springs

TP = Tamperproof. Temperature adjustment from dial under top cover.

Wiring



Terminals C and 2 make on temperature rise.

Terminals C and 1 make on temperature fall.

Specification

L6190B

Switch Rating	: 250VAC, 10A resistive, 2.5A inductive
Switch Type	: Single pole, double throw (SPDT)
Ambient Temperature Range	: 0 to 70°C
Surface Temperature Range	: 0 to 95°C
IP Rating	: IP40
Standards	: CE, UL, AGA, CSA
Approvals	: 73/23/EEC, DIN3440

L641B

Switch Rating	: 230VAC, 4A resistive, 2A inductive
Switch Type	: Single pole, double throw (SPDT)
Ambient Temperature Range	: 0 to 55°C
Surface Temperature Range	: 0 to 95°C
IP Rating	: IP40
Standards	: EN 60730
Approvals	: 89/336/EEC, 73/23/EEC

Dimensions (mm)

