

# COMMERCIAL AUTOMATIC BYPASS VALVE

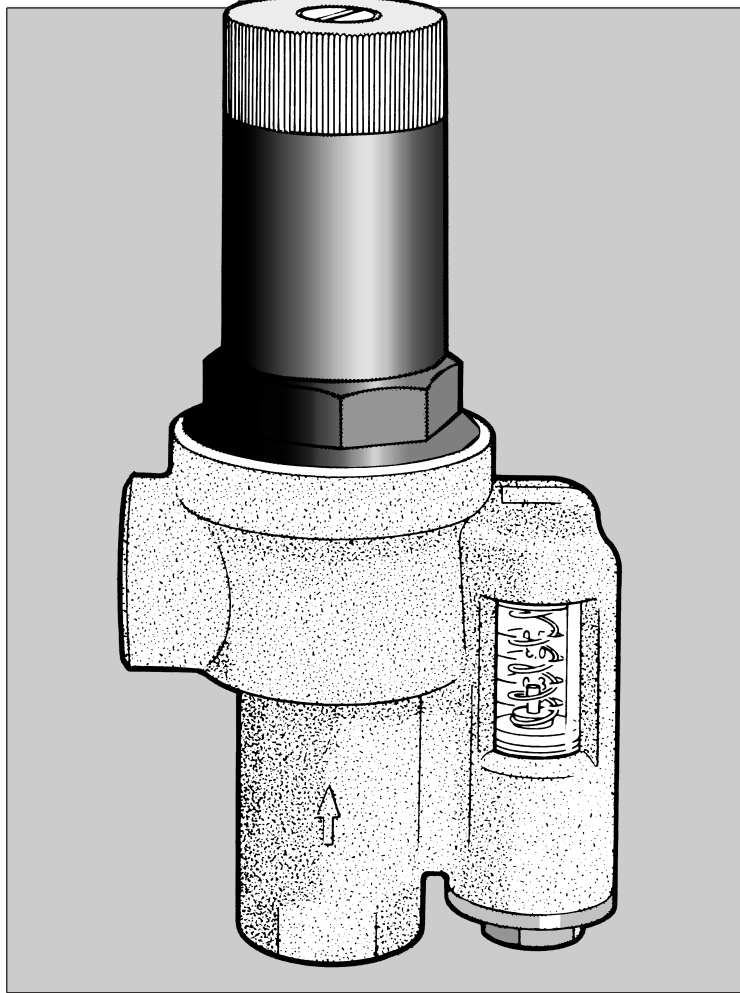
## DU146

### FEATURES

- Integral pressure indicator for simple setting up
- Wide differential pressure range 0.05 to 0.5 bar
- Lockable set point adjustment
- Reduces system noise and maintains an even system pressure
- Ensures constant flow through boiler or branch of large heating system
- Lockable set pressure prevents inadvertent adjustment

### OPTIONS

- **DU146M**  
High duty construction suitable for district heat schemes



### APPLICATION

The DU146 Automatic Bypass Valve controls flow of water through a bypass circuit which is typically installed between flow and return pipework on a large system or branch of a district heating system.

Building Regulation advice states that if a bypass is installed, an Automatic Bypass Valve must be fitted.

The DU146 saves energy by only allowing flow through the bypass when needed i.e. when flow through the system is reduced when zone valves or radiator thermostats are closing. The use of an ABV is recommended by the UK government as Best Practice in the CHeSS (Central Heating System Specifications) guide to central heating systems.

**NON-ELECTRIC CONTROLS**

**Honeywell**

# COMMERCIAL AUTOMATIC BYPASS VALVE

# DU146

## Installation

The **DU146** should be fitted immediately after the pump between the flow and return. Pipework should be sized to accommodate maximum capacity and flow must be in the direction of the arrow marked on the body.

## Ordering Specification

### DU146 - 3/4 E

Automatic bypass valve with integral pressure indicator, lockable adjustment knob and 3/4" BSP female connections

### DU146 - 1 1/4 E

As above, but with 1 1/4" BSP female connections

### DU146M - 3/4 A

Automatic bypass valve, with lockable adjustment knob and 3/4" BSP female connections

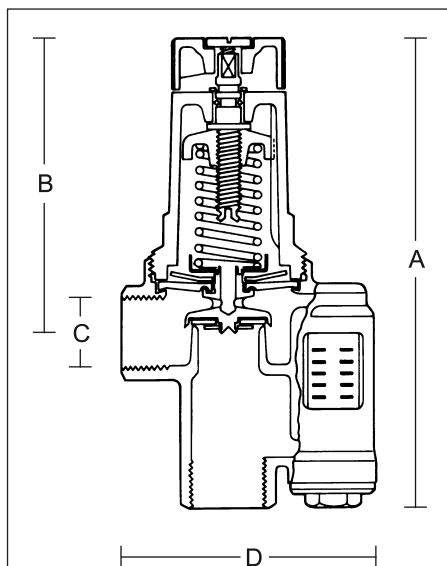
### DU146M - 1 3/4 A

As above, but with 1 1/4" BSP female connections

### DU146-AHA

Replacement pressure indicator glass assembly for DU146

## Dimensions (mm)



	A	B	C	D
DU146 - 3/4 A	160	100	22*	86
DU146 - 1 1/4 A	213	155	35*	109

\*Connections BSP

## Specification

Differential Pressure Range\* : 0.1 to 0.5 bar Δp

Valve Body Material : Brass

Flow Capacity  
: 3/4" - 3m<sup>3</sup>/hr  
: 1 1/4" - 10m<sup>3</sup>/hr

### DU146

Maximum Working Pressure : 3 bar

Max. Working Temperature : 110°C

### DU146M (No pressure indicator)

Maximum Working Pressure : 16 bar

Max. Working Temperature : 130°C

\* For higher ranges/sizes contact Honeywell office for range of industrial differential pressure valves or try Kombi 3 range of valves

## Flow Characteristics

