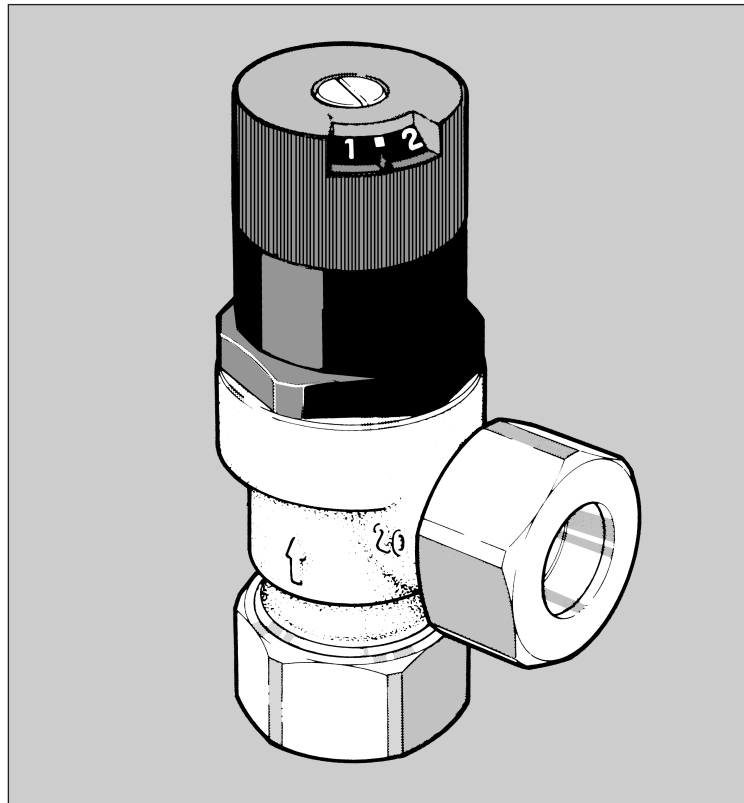


ANGLED AUTOMATIC BYPASS VALVE

DU145

FEATURES

- Unique and simple adjustment mechanism
- High capacity flow - up to 50 litres per minute
- Wide differential pressure range 0.1 to 0.6 bar
- 22mm compression fittings for ease of installation
- Reduces system noise and maintains an even system pressure
- Ensures constant flow through boiler
- Lockable set pressure prevents inadvertent adjustment



APPLICATION

The DU145 Automatic Bypass Valve controls flow of water through a bypass circuit which is installed between flow and return pipework, typically at or near the boiler.

Building Regulation advice states that if a bypass is installed, an Automatic Bypass Valve must be fitted.

The DU145 saves energy by only allowing flow through the bypass when needed i.e. when flow through the system is reduced when zone valves or radiator thermostats are closing. The use of an ABV is recommended by the UK government as Best Practice in the CHeSS (Central Heating System Specifications) guide to central heating systems.

NON-ELECTRIC CONTROLS

Honeywell

Installation

The **DU145** should be fitted immediately after the pump between the flow and return. Pipework should be 22mm to accommodate maximum capacity and flow must be in the direction of the arrow marked on the body.

Ordering Specification

DU145 - 3/4 B

Automatic bypass valve with set pressure indicator, lockable adj. knob and 22mm compression connections

Functions

DU145 Automatic bypass valve can serve two functions:

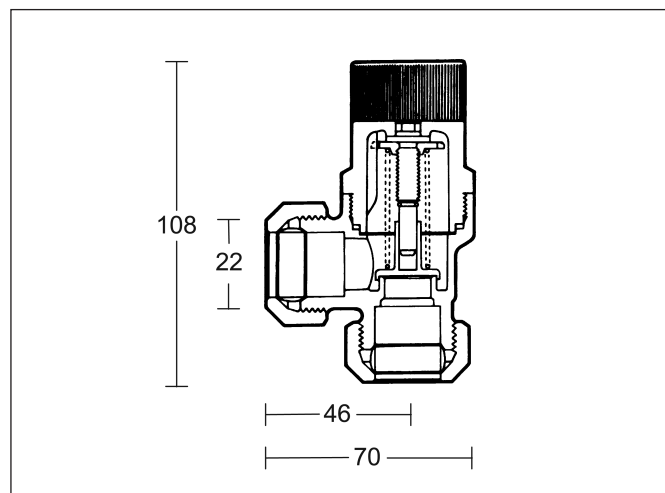
- As a boiler bypass as required by boiler manufacturers.
- As a system bypass to accommodate pump overrun and to alleviate system noise that can be caused by increased pressures when thermostatic radiator valves or zone valves close down.

Specification

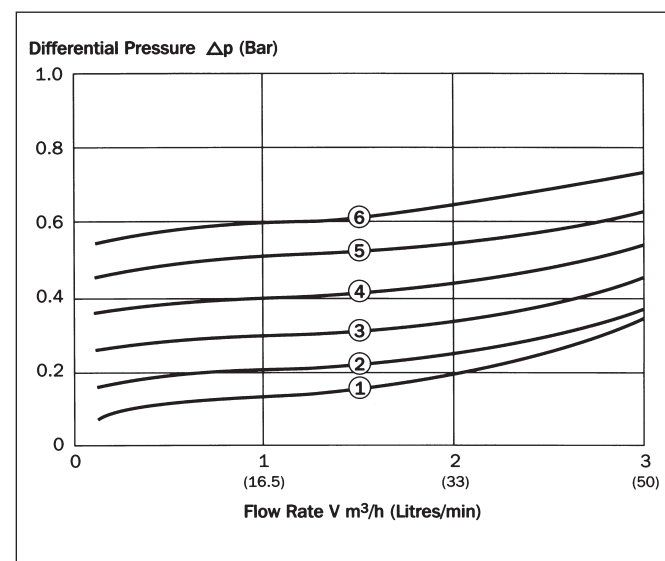
Maximum Working Pressure	: 3 bar
Max. Working Temperature	: 110°C
Flow Capacity	: 3m ³ /hr
Differential Pressure Range*	: 0.1 to 0.6 bar Δp
Valve Body Material	: Brass

* For higher ranges/sizes contact Honeywell office for range of industrial differential pressure valves or try the DU146 - 1 1/4 or Kombi 3 range of valves.

Dimensions (mm)



Flow Characteristics



Locking

Once pressure has been set according to the scale below, the valve locks in position by tightening the screw on the cap.

Scale	1	2	3	4	5	6
Bar	0.1	0.2	0.3	0.4	0.5	0.6