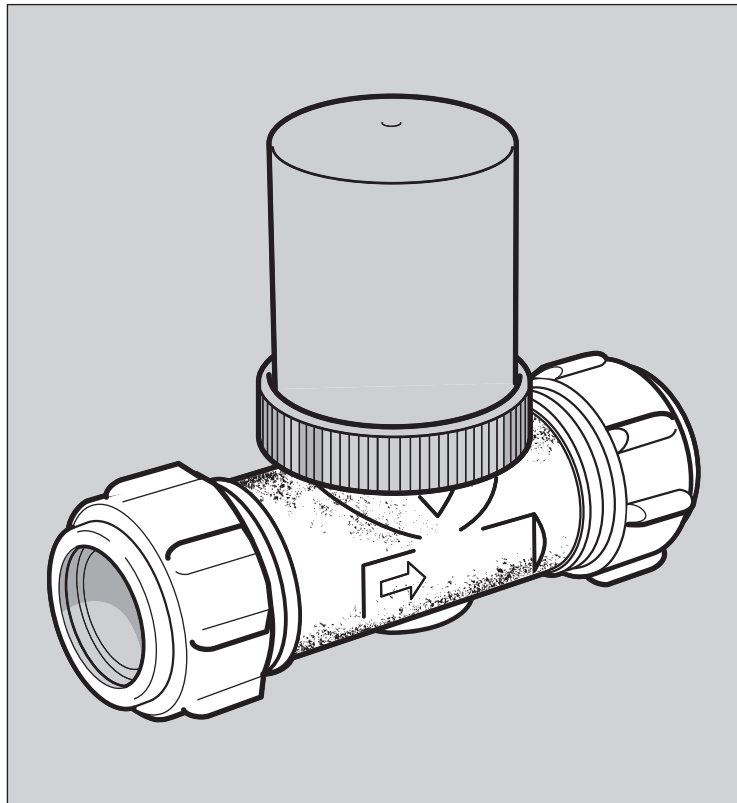


# STRAIGHT AUTOMATIC BYPASS VALVE

## DU144

### FEATURES

- Unique and simple adjustment mechanism
- Wide differential pressure range  
0.1 to 0.6 bar
- 22mm compression fittings for ease of installation
- Reduces system noise and maintains an even system pressure
- Ensures constant flow through boiler
- Lockable set pressure prevents inadvertent adjustment
- Factory set at 0.2 bar



### APPLICATION

The DU144 Automatic Bypass Valve controls the flow of water through a bypass circuit which is installed between flow and return pipework, typically at or near the boiler.

Building Regulations advice states that if a bypass is installed, an automatic bypass valve must be fitted.

The DU144 saves energy by only allowing flow through the bypass when needed i.e. when flow through the system is reduced when zone valves or radiator thermostats are closing. The use of an ABV is recommended by the UK Government as Best Practice in the CHeSS (Central Heating System Specifications) guide to central heating systems.

**NON-ELECTRIC CONTROLS**

**Honeywell**

## Installation

The **DU144** should be fitted immediately after the pump between the flow and return. Pipework should be 22mm to accommodate maximum capacity and flow must be in the direction of the arrow marked on the body.

## Ordering Specification

### DU144A1001

Automatic bypass valve with set pressure scale and protective cap, with 22mm compression connections

## Functions

**DU144** Automatic bypass valve can serve two functions:

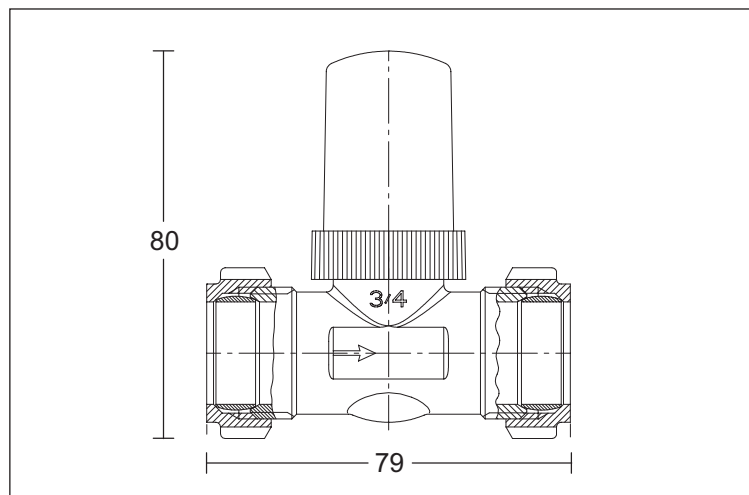
- As a boiler bypass as required by boiler manufacturers.
- As a system bypass to accommodate pump overrun and to alleviate system noise that can be caused by increased pressures when thermostatic radiator valves or zone valves close down.

## Specification

Maximum Working Pressure	: 10 bar
Max. Working Temperature	: 120°C
Flow Capacity	: 1.5m <sup>3</sup> /hr
Differential Pressure Range*	: 0.1 to 0.6 bar Δp
Kvs (CV) Values	: 2.3 (2.7)
Valve Body Material	: Brass

\* For higher ranges/sizes contact Honeywell office for range of industrial differential pressure valves or try the DU146 - 1<sup>1</sup>/<sub>4</sub> or Kombi 3 range of valves.

## Dimensions (mm)



## Flow Characteristics

