

INSTALLATION INSTRUCTIONS

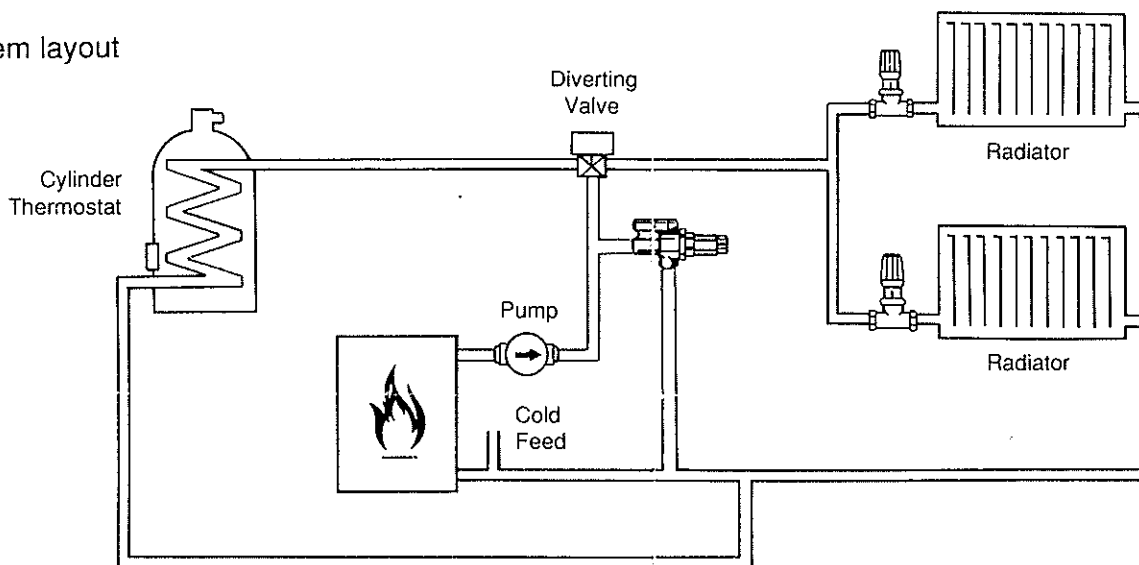
DU146E

AUTOMATIC BY PASS VALVE

INSTALLATION

- Ensure the flow is through the valve in the direction of the arrow.
- Mount after the pump, between the primary flow and return pipes as in diagram.

System layout



- Mount the valve vertically or horizontally (with the gauge to the top).

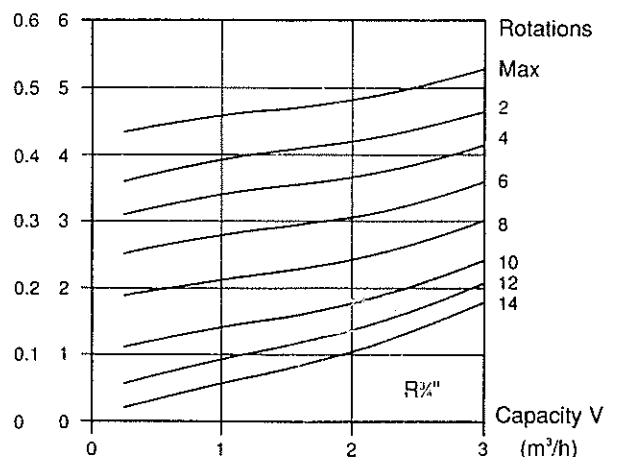
FUNCTIONS

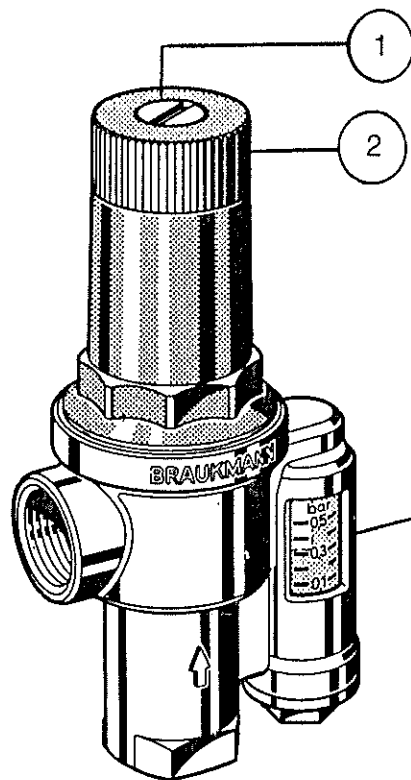
DU146E Automatic Bypass Valve can serve two functions:-

- (a) as a boiler bypass as required by boiler manufacturers.
- (b) as a system bypass to accommodate pump overrun and to alleviate system noise that can be caused by increased pressures when TRV's or zone valves close.

Pump Pressure

(Kg/cm²) (m Water Column)





- 1 Locking screw
- 2 Adjustment knob

SETTING UP

For both functions (a) and (b) first:-

- Loosen the locking screw (1) and turn the adjustment knob (2) fully clockwise thereby closing the valve.
- Turn on the system and open all heating zones but close the hot water zone.
- With the boiler running balance the system in the normal way.

For boilers requiring a bypass (a)

- Ensure the boiler operates quietly at all flow temperatures until the boiler thermostat turns off the gas.
- If the boiler does not operate at all temperatures, slowly open the valve anti-clockwise until quiet operation is achieved.

- The system will now automatically accommodate system bypass (b) requirements as well.

- If the boiler does operate quietly at all temperatures then adjust as for a system bypass detailed below.

For use as a system bypass (b) only

- With the heating circuit open read off the normal system differential pressure on the gauge.
- From the chart select the curve closest to the system differential pressure near zero flow (equal to system differential pressure shown in gauge) and read off the number of rotations ie. a reading of 0.25 bar will be 6 rotations.

Honeywell

Arlington Business Park
Bracknell
Berkshire
RG12 1EB
Tel: 01344 656000

119 Psalter Lane
Sheffield
South Yorkshire
S11 8YR
Tel: 01142 556451

Helping You Control Your World

EB-DU146EN 2302700
8/96