

CM61 Programmable Thermostat

Parameter List

Parameter Description	Installer Set-Up Number / Abbreviation (Press \odot + or - key to change)	Factory Setting		Optional Setting		Installer Set-Up Category (Press keys PROG 1 or 2 to select) \odot 1 2
		Display	Description	Display/Setting	Description	
AM-PM / 24hr Display	1:Cl	1	AM/PM clock display	0	24hr clock display	1
RESET Time / Temperature Program	2:rP	1	Time / Temperature profile set to factory default Changes to 0 when one of the time/temp profiles are changed	0 1	Time / Temperature are as programmed To restore the factory profile set to 1	1
You must now press the PROG 2 key to enter the next section						
Minimum ON Time	3:Ot	1	1 minute minimum ON time	2 to 5	2 - 2 minutes 3 - 3 minutes 4 - 4 minutes 5 - 5 minutes	2
Accessory Module Type	4:At	0	No accessory module plugged in	1	1 - Auto Time Setting Module	2
Heat / Cool Operation	5:HC	1	Heating Operation	0	Cooling Operation	2
Electric Heat	6:Eh	0	Applications < 3A	1	Applications 3 - 8A	2
Pump Exercise	7:PE	0	Pump Exercise Disabled	1	Pump Exercise Enabled	2
Cycle Rate	8:Cr	6	6 cycles per hour (cph) for gas boilers, zone valves and fan-coil	3/9/12	3 - 3 cph 9 - 9 cph 12 - 12 cph	2
Second Temperature Sensor	9:SS	0	No sensor fitted	1, 2	1 - Outside Temp. Sensor fitted 2 - Remote Temp. Sensor fitted	2
Upper Temperature Limit	10:UL	30	30°C Upper Temp. Limit	21°C to 29°C	21°C to 29°C adjustment in 1°C steps	2
Lower Temperature Limit	11:LL	5	5°C Lower Temp. Limit	6°C to 21°C	6°C to 21°C adjustment in 1°C steps	2
Temperature Offset	12:tO	0	No offset	-3K to +3K	-3K to +3K adjustment in 0.1K steps	2
Proportional Band	14:Pb	1.5	1.5K Proportional Band	1.6 to 3.0	1.6K to 3.0K adjustment in 0.1K steps	2
*Optimisation	15:Op	1	Optimisation enabled	0	Optimisation disabled	2
Telephone Override Setpoint	16:tS	21	21°C Setpoint	5°C to 30°C	5°C to 30°C adjustments in 1°C steps	2
Scheduled Maintenance Alert Period (months)	17:SP	0	Scheduled Maintenance Alert Period Disabled	0 to 48	0 to 48 months adjustment in 1 month steps	2
LCD Backlight	19:bl	1	Backlight Enabled	0	Backlight Disabled	2
Return all Set-Up Features to Factory Settings	20:FS	1	All settings held are the factory defaults. Changes to 0 when one of the parameter values are changed	0 1	Settings are as modified above To restore the factory profile set to 1	2

* Not available on T6661B1040

Notes

- When the Installer Set-Up Mode is initiated, only **Category 1** (\odot 1) Set-Up Features are accessible.
Category 2 (\odot 2) Set-Up Features are accessed by pressing the **PROG. 2** key.
- Remember to always press the **INFO** \mathbf{i} button to confirm that you want to store your new Installer Set-Up setting.
- To exit the Installer Set-Up Mode press the **AUTO**, **MAN** or **OFF** button.

This product has been designed with your environment in mind! Please respect this by disposing of all packaging, used parts and eventually the product itself in an environmentally friendly manner.

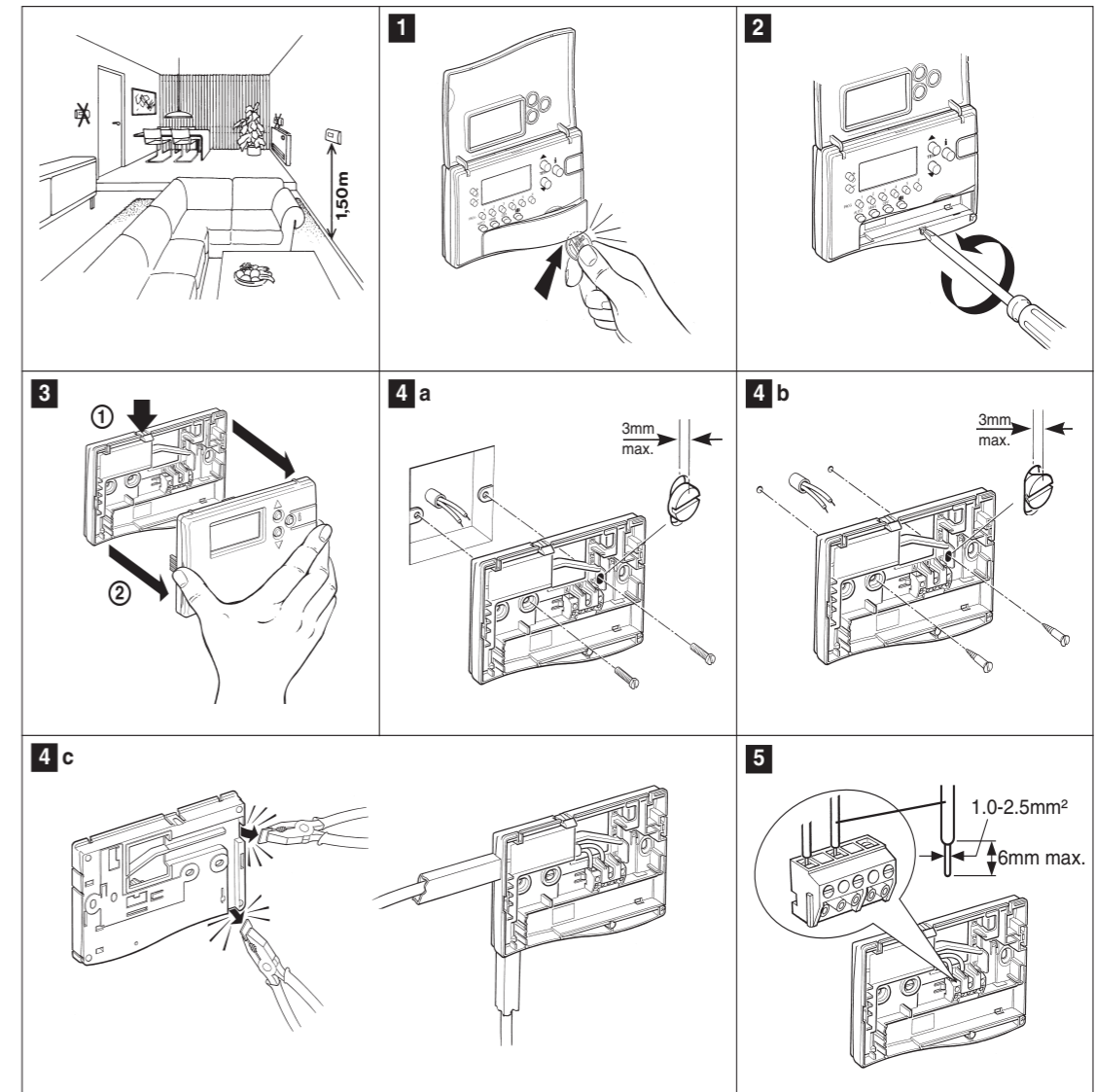
Honeywell

www.honeywelluk.com

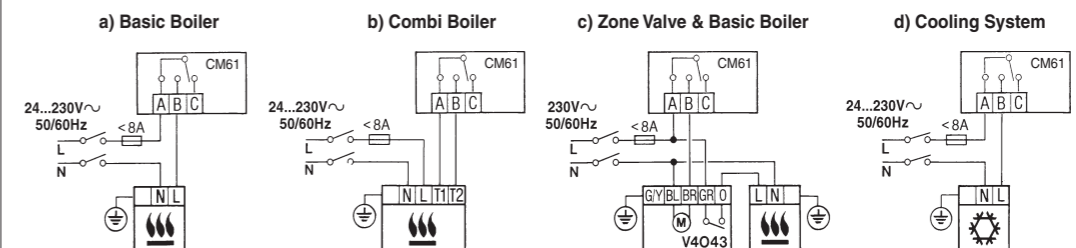
Honeywell Control Systems Ltd.
Arlington Business Park
Bracknell, Berkshire RG12 1EB
Technical Help Desk: 08457 678999

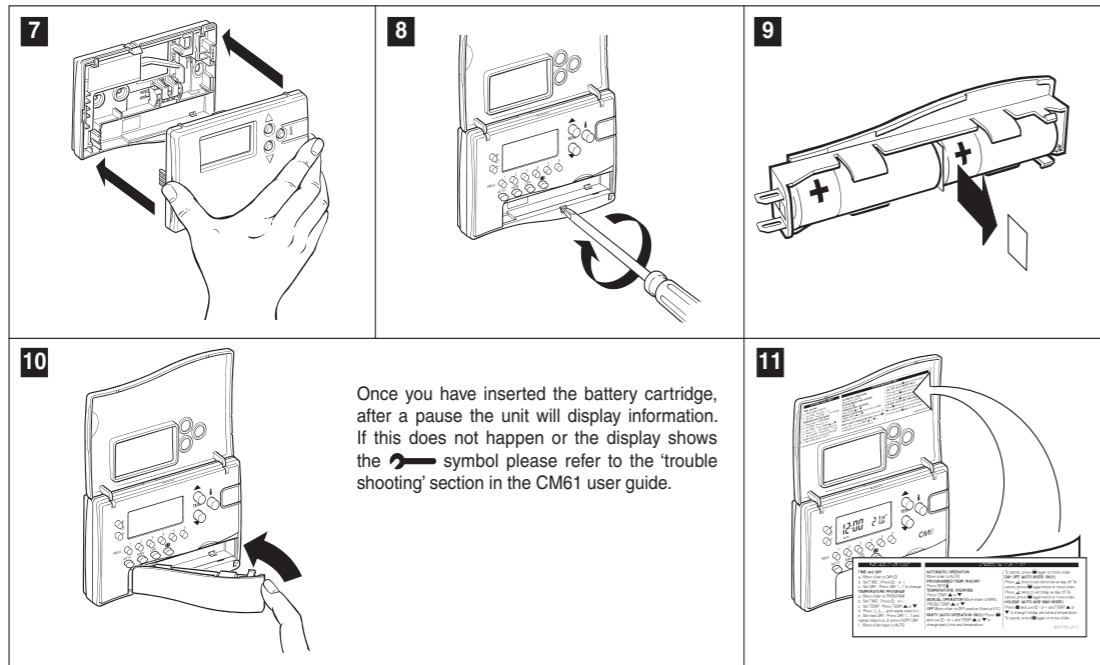


INSTALLATION GUIDE



6 Typical connection examples





You have now installed the Programmable Thermostat for gas boiler applications, the factory system settings will not need to be changed (for other applications see below). You can now use the USER GUIDE to program the unit and demonstrate how it works to the homeowner.

What else will the Programmable Thermostat do?

- Specific Applications
- Special Features
- Optional Accessories

Warning. This product and its associated documentation and packaging are protected by various intellectual property rights belonging to Honeywell Inc and its subsidiaries and existing under the laws of the UK and other countries. These intellectual and property rights may include patent applications, registered designs, unregistered designs, registered trade marks, unregistered trade marks and copyrights and also include the following UK registration rights: UK patent application number 98062207.8 UK registered design numbers 2073334, 2073340 and 2073343.

Specific Application		Setting		What do I need to change?
		Cycle/ Hour	Minimum ON Time	Note: a. To change Cycle/Hour, please go to parameter 8 in the installer set-up mode. b. To change Minimum ON Time, please go to parameter 3 in the installer set-up mode
Heating	Gas Boilers (<30KW)	6	1	No action required
	Oil Boiler	3	4	1. Set Minimum ON Time to 4 minutes. 2. Set Cycle/Hour to 3.
	Thermal Actuator	12	1	Set Cycle/Hour to 12.
	Zone Valve	6	1	No action required
	Electric Heating (for applications <8A)	12	1	1. Configure the Programmable Thermostat for electric heating (set parameter 6 in the installer set up mode to 1) 2. Set Cycle/Hour to 12
Air-conditioning				1. For cooling application only, set the Programmable Thermostat to cooling (set parameter 5 in the installer set-up mode to 0) 2. For heat/cool application, set the Programmable Thermostat accordingly to required mode of operation by changing parameter 5 in the installer set-up mode. winter = heating summer = cooling Explain to the end-user how to implement the change-over and ensure that the appropriate time and temperature profile is established for heating and cooling
	Heat Pump/Air Conditioner	3	4	1. Set Minimum ON Time to 4 minutes. 2. Set Cycle/Hour to 3.
	Fan Coil	6	1	No action required

Special Features	Description	What do I need to do if I wish this feature?
*Optimisation (Variable Start Time)	The Programmable Thermostat will delay the start time to the last possible moment, so the desired temperature is reached by the start of the program period e.g. Time 7:00, Temp 21°C. Simply set the times at which you would like to be warm and the Programmable Thermostat will switch on when required up to a maximum of 3 hours early.	Set parameter 15 in the installer set-up mode to 0 to disable this feature
Pump exercise	Circulating pump on hydronic systems can be exercised once a day for 15 seconds at mid-day.	Set parameter 7 in the installer set-up mode to 1
Temperature Offset	If the Programmable Thermostat is located in a particularly hot/cold location and cannot be moved because of wiring then the measured/displayed temperature can be adjusted by +/- 3°C	Set parameter 12 in the installer set-up mode to the desired offset value.
Proportional Band Width	Can be adjusted up to 3°C (default is 1.5°C) to provide better temperature control (less overshoot). Useful for: a. Well insulated homes with over-sized heating systems b. Air systems with fast response	Set parameter 14 in the installer set-up mode to the desired value
Upper/Lower Temperature Limit	The normal upper temperature limit of 30°C can be reduced to 21°C to save the homeowner energy The normal lower limit of 5°C can be increased up to 21°C to protect inhabitants from cold.	Set parameter 10 to the desired upper limit. Set parameter 11 for the desired lower limit
Scheduled Maintenance Alert Period	If the installation requires scheduled maintenance and the user needs to be reminded that the service is due the parameter value can be set to the required number of months (1-48). When the preset period expires the CM61 will display SERVICE icon.	Set parameter 17 to the required value to enable maintenance alert. Value set to zero disables the function.

* Not available on T6661B1040

Optional Accessories	Description	What do I need to do if I want this feature?
Outside Temperature Sensor	An Outside Temperature Sensor can be fitted to the CM61 to allow the homeowner to display the outside temperature on the Programmable Thermostat display by using the INFO button.	1. Fit the sensor (instructions included in the sensor package) 2. Set parameter 9 in the installer set-up mode to 1
Remote Temperature Sensor	A Remote Temperature Sensor can be fitted to the CM61 to allow the Programmable Thermostat to control the temperature from another room e.g. in a commercial premises.	1. Fit the sensor (instructions included in the sensor package) 2. Set parameter 9 in the installer set-up mode to 2
Automatic Time Setting (ATS) Module	The ATS module picks up a time signal daily from a transmitter, so you never need to set or adjust the time.	1. Fit the ATS module 2. Set parameter 4 in the installer set-up mode to 1

Changing the Configuration

1 Enter Installer Parameter Table

Press the OFF button. Press and hold INFO button and press PROG 3,4 together.

2 Enter Installer Parameter Table

Parameter Number (Press or to change) e.g. 1 = AM/PM

Abbreviated Description e.g. CL = Clock Display

Installer Parameter Mode Selected

Parameter Category (Press Temp or to change) e.g. 0 = 24hr 1 = 12hr AM/PM

3 Press TEMP or to change factory setting. The display will flash indicating that a change has been made.

4 Press INFO button to confirm the change is ok. The display will stop flashing indicating that the new value has been stored.

5 Press or to go to the next parameter and follow steps 3 & 4 to make changes.

6 To exit the Installer Set-Up Mode press the AUTO, MAN or OFF button.