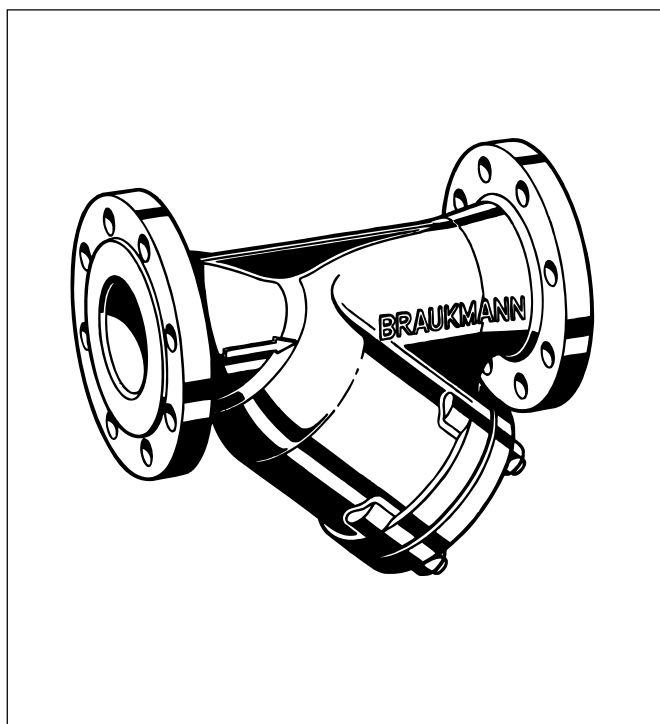


FY69P

Grey cast iron Y-strainer with flange connections

Product specification sheet



Construction

The strainer comprises:

- Housing with PN 16 flanges to DIN 2533
- Double sieve with mesh size approximately 0.50 mm and with mesh carrier
- Cover plate with blanking plug and sealing ring
- Sealing ring

Materials

- Grey cast iron body
- Stainless steel double sieve
- Steel cover plate and blanking plug

Application

FY69P strainers are used in commercial and industrial applications, as well as for central water supply systems within the limits of their specifications.

They protect systems against malfunction and corrosion damage resulting from the ingress of foreign bodies such as welding beads, sealing materials, metal cuttings and rust etc. This extends the life of the downstream system and prevents early failure.

Special Features

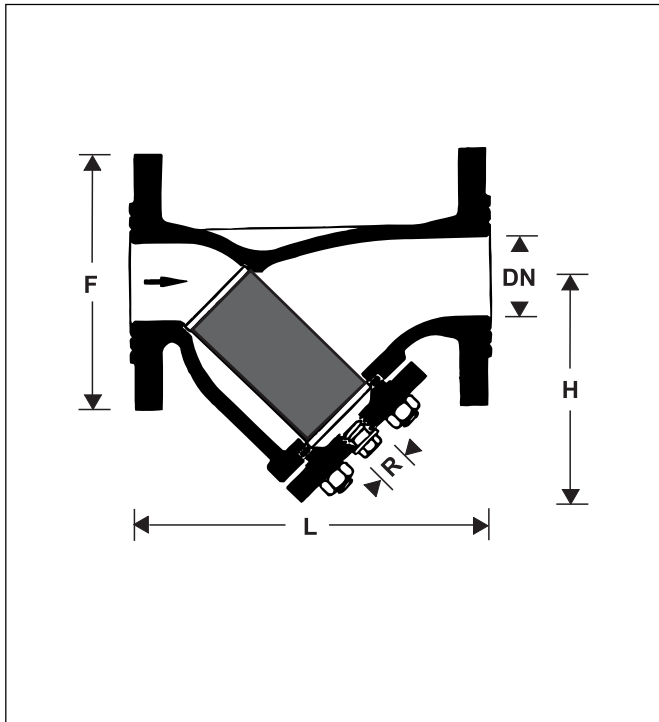
- Low flow resistance because of good dynamic flow design of body
- Powder coated inside and outside, which is toxicologically and physiologically safe
- Stainless steel construction gives double sieve good corrosion resistance
- Large strainer mesh surface area provides high dirt acceptance capacity
- Sieve carrier ensures good sealing within housing
- Dirt particles or condensate in compressed air systems can be flushed out with blanking plug removed
- Easy removal of sieve for cleaning
- Reliable and tested

Range of Application

Medium	Water, oil, compressed air, steam and other non-aggressive mediums
Operating pressure	Maximum 16.0 bar for water, oil and compressed air Maximum 4.0 bar for steam

Technical Data

Installation position	In horizontal or vertical pipework with blanking plug downwards
Operating temperature	Maximum 150 °C
Connection sizes	DN 15 to DN 200



Method of Operation

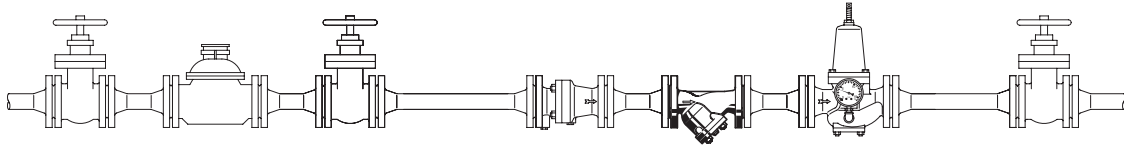
The medium flows in the direction of the arrow through the FY69P strainer and passes through the large surface double sieve from inside to outside. Dirt particles are trapped and collected by the double sieve. Accumulated dirt particles can then easily be removed during programmed cleaning of the strainer. In addition, if a service valve is fitted instead of the blanking plug, collected dirt and/or condensate in compressed air systems can be flushed out without difficulty.

Options

FY69P-... A = With double sieve, mesh size approximately 0.50 mm
 Connection size

Connection size	DN	15	20	25	32	40	50	65	80	100	125	150	200
Approximate weight	(kg)	2.0	2.6	3.8	6.3	7.4	10.4	15	22	30	45	66	144
Dimension	(mm)												
	L	130	150	160	180	200	230	290	310	350	400	480	600
	H	64	83	90	108	120	143	179	203	222	267	320	382
	R	3/8"	3/8"	3/8"	3/8"	3/8"	3/8"	1/2"	1/2"	1"	1"	1"	1"
	F	95	105	115	140	150	165	185	200	220	230	285	340
Zeta value		1.4	1.5	1.5	1.6	1.6	1.8	1.9	1.7	1.8	1.9	1.7	1.7

Installation Example



Installation Guidelines

- If possible install in horizontal pipework with blanking plug downwards
 - This position ensures optimum cleaning efficiency
 - Where installed in rising pipework dirt particles will not collect in strainer
- Fit valves
 - Enables fast cleaning of the strainer
- Ensure good accessibility
 - So that the sieve can be easily removed
 - Simplifies maintenance and cleaning

Inspection and Maintenance

DIN 1988, Part 8 specifies that the following operations be carried out regularly. A scheduled maintenance scheme is recommended.

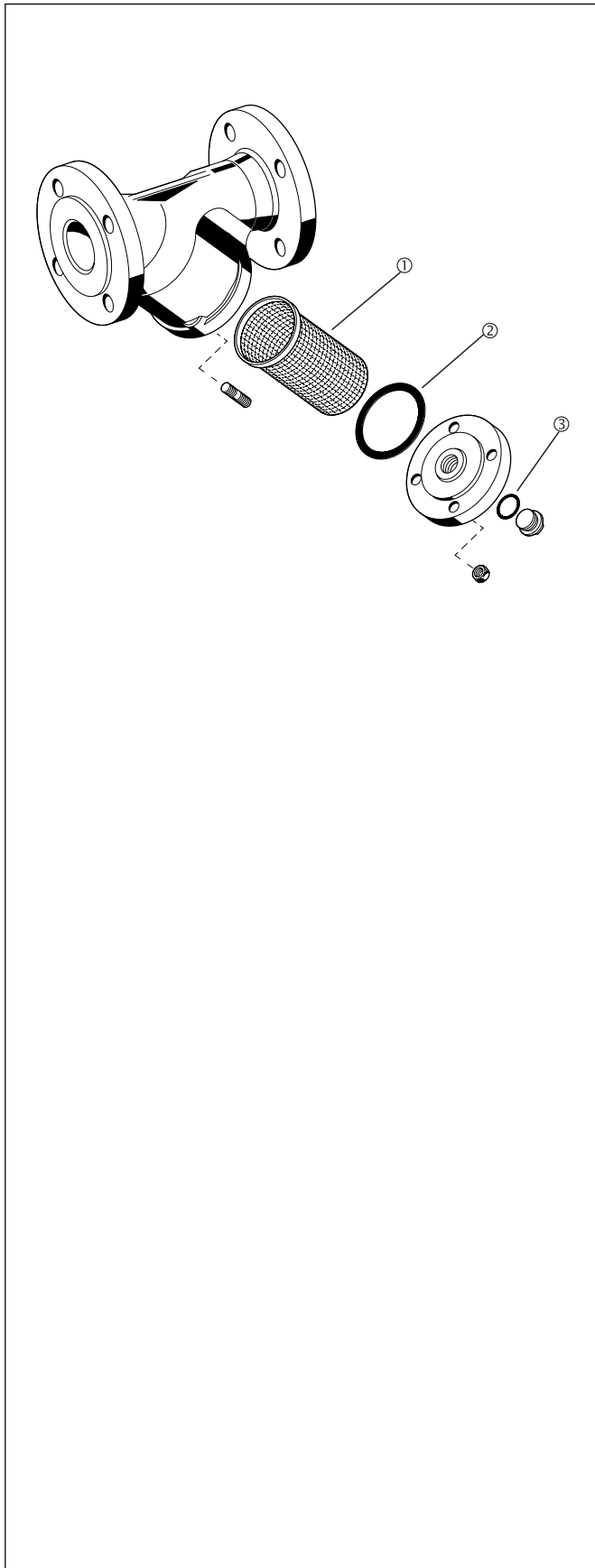
	Operation	Interval	Carried out by
Inspection	Checking of the location and water tightness of sieve insert and seal ring	According to operating conditions	User or specialist
Inspection and Maintenance	Cleaning or if necessary replacement of sieve Cleaning and if necessary replacement of the sealing ring	According to operating conditions	User or specialist

Typical Applications

FY69P strainers are essential on inlet pipework to appliances and systems. They can be used for commercial and industrial applications within the limits of their specifications.

Strainers must be fitted:

- Where the presence of dirt can cause premature wear in machines or systems
- Where it is possible that appliances or systems can become blocked
- Where the ingress of dirt particles can cause corrosion



Service Parts for FY69P Strainers

Description	Nominal size	Part number
① Replacement sieve	DN 15	ES69Y-15
	DN 20	ES69Y-20
	DN 25	ES69Y-25
	DN 32	ES69Y-32
	DN 40	ES69Y-40
	DN 50	ES69Y-50
	DN 65	ES69Y-65
	DN 80	ES69Y-80
	DN 100	ES69Y-100
	DN 125	ES69Y-125
	DN 150	ES69Y-150
	DN 200	ES69Y-200
	② Cover plate seal	DN 15
DN 20		5782500
DN 25		5782600
DN 32		5782700
DN 40		5782800
DN 50		5782900
DN 65		5783000
DN 80		5783100
DN 100		5783200
DN 125		5783300
DN 150	5783400	
DN 200	5783500	
③ Blanking plug seal ring	DN 15	5783600
	DN 20	5783600
	DN 25	5783600
	DN 32	5783600
	DN 40	5783600
	DN 50	5783600
	DN 65	5783400
	DN 80	5783400
	DN 100	5783700
	DN 125	5783700
DN 150	5783700	
DN 200	5783700	

Automation and Control Products

Honeywell GmbH
 Hardhofweg
 D-74821 Mosbach

Phone: (49) 6261 810
 Fax: (49) 6261 81309
 braukmann@honeywell.com

Honeywell
Braukmann

<http://europe.hbc.honeywell.com>