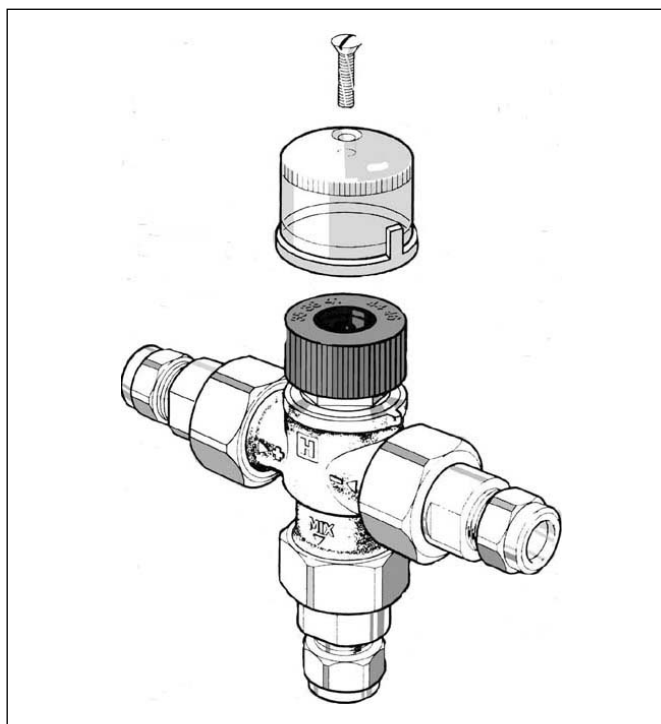


## TM200VP

### Thermostatic mixing valve with scald protection

#### Product specification sheet



#### Construction

The thermostatic mixing valve comprises:

- Housing
- Tailpieces with check valves
- Adjuster knob
- Protective cap for locking the set mixed temperature
- Thermostat
- 4 in 1 connection option offers: isolation valve, strainer, check valve and test point for 15mm and 22mm sizes

#### Materials

- Dezincification-resistant brass housing
- Brass connectors
- Moving parts of high-quality, scale-resistant synthetic material
- Transparent plastics protective cap
- Plastics adjuster knob
- Stainless steel spring
- NBR Seals

#### Application

TM200VP thermostatic mixing valves provide control of the water temperature and are used:

For localised control adjacent to point of use outlets.

#### Special Features

- Highly sensitive thermal element with good all-round water temperature sensing, even at low flow rates
- Simple setting of the required water temperature
- Scald protection - the hot water inlet is automatically cut off if the cold supply fails provided that the hot water inlet temperature is at least 10 K higher than that of mixed water setting
- The cold water inlet is automatically cut off if the hot supply fails
- Inner components are of scale-resistant materials
- WRAS approved, Certificate No. ETC/212/0403

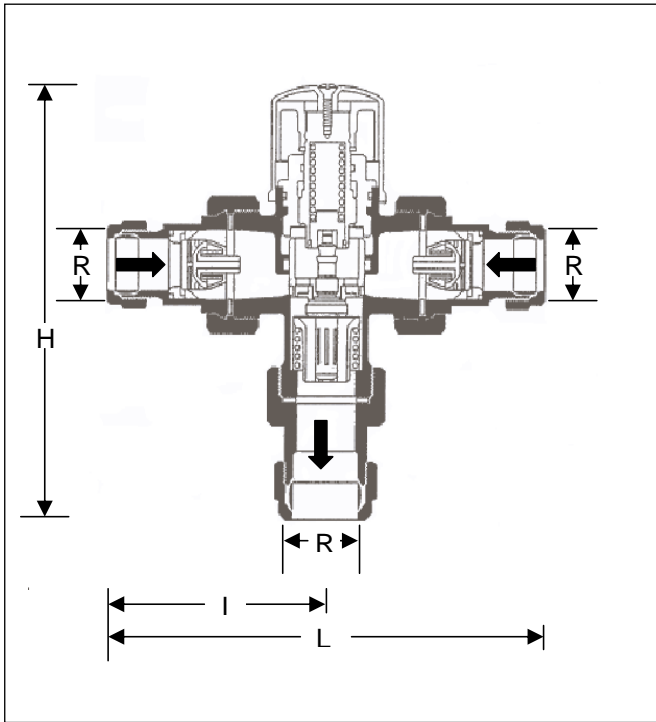
#### Range of Application

|   |                |
|---|----------------|
| Flow medium   | Water          |
| Operating pressure  | Maximum 10 bar |
| Maximum pressure difference between hot and cold inlet supplies | 2.5 bar        |

#### Technical Data

|   |                 |
|---|-----------------|
| Installation orientation  | As required     |
| Hot water inlet temperature   | Maximum 90 °C   |
| Connection sizes  | See over        |
| Setting range   | 38 °C - 46 °C   |
| Flow rate at 1.0 bar pressure differential across valve approximately | 27 litres / min |
| Control accuracy  | < ± 4 K         |





**Method of Operation**

As a mixing valve for hot water supply systems.

The highly sensitive thermal element located in the outlet of the valve controls a plug which regulates the flow proportions of cold and hot water in relation to the mixed hot water setting selected. Soft seatings are fitted to both hot and cold water inlets.

They provide:

- A positive hot inlet shutoff if the cold water supply is interrupted, provided that the hot water inlet temperature is at least 10 K higher than that of the mixed water setting.
- The cold water supply is cut off if the hot water supply is interrupted.

A protective cap is supplied with the valve to lock the mixed temperature setting.

**Options**

TM200VP-3/4E = With 15mm compression connections

TM200VP-3/4H = With 22 mm compression connections

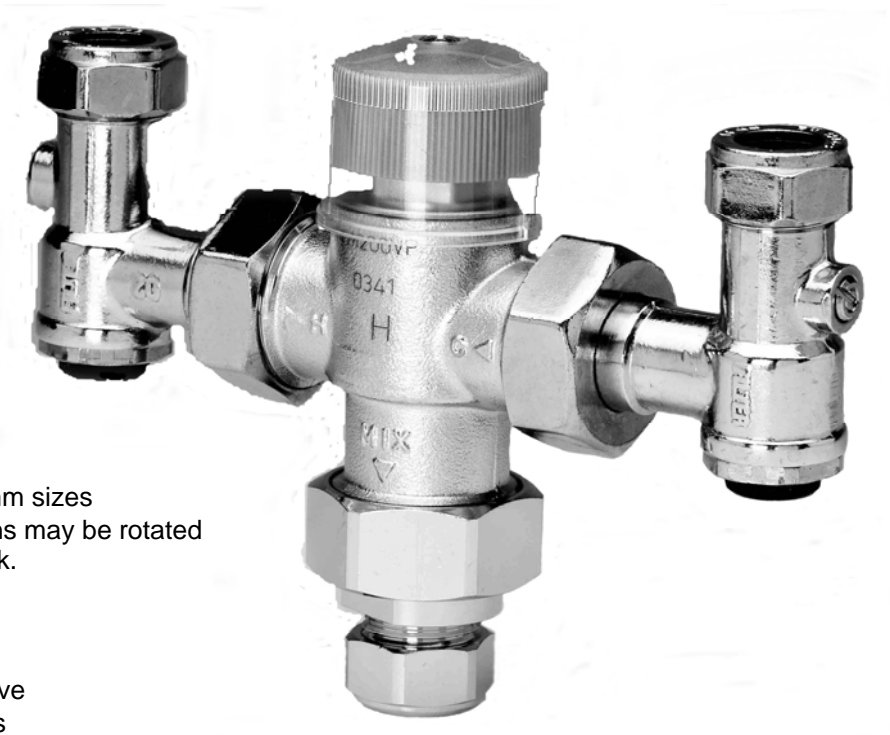
TM200VP-3/4ZC= With 15mm connectors and 4 in 1 tailpiece

TM200VP-3/4ZD= With 22mm connectors and 4 in 1 tailpiece

| Type               | 3/4E | 3/4H | 3/4ZC | 3/4ZD |
|--------------------|------|------|-------|-------|
| Connection sizes R | 15mm | 22mm | 15mm  | 22mm  |
| Dimensions (mm) L  | 134  | 142  | 185*  | 185   |
| I                  | 67   | 71   | 93    | 93    |
| H                  | 128  | 136  | 128   | 136   |

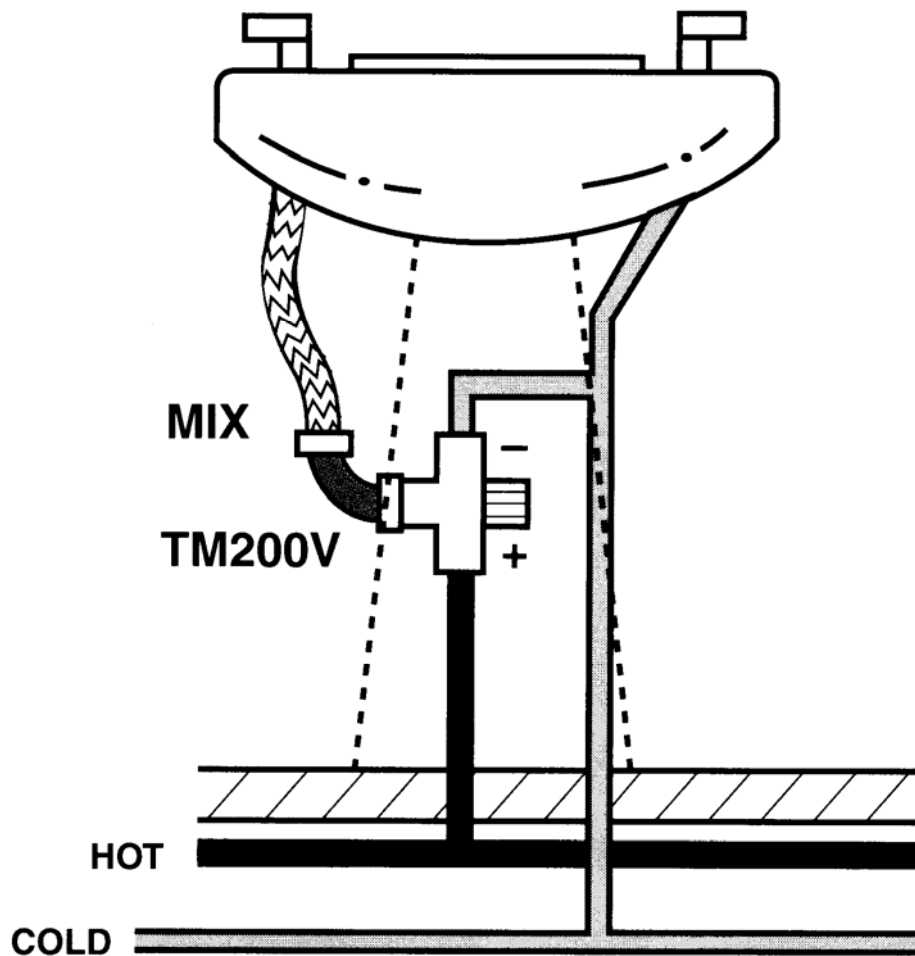
Note that 3/4ZC dimension \* includes operating handles

**4 in 1 Tailpiece Option**



**Features**

- 15mm and 22mm sizes
- Inlet connections may be rotated to suit pipe work.
- Provides
  - Isolation
  - Strainer
  - Check Valve
  - Test points
- Inlet valves on 15mm version are now fitted with levers, red for hot and blue for cold.

**Installation Example****Installation Guidelines**

The installer should ensure that the installation complies with the requirements of the "Water Supply (Water Fittings) Regulations 1999".

The TM200VP may be installed in any orientation including horizontal or vertical pipe work, ensure that the valve is not strained or twisted.

To comply with health regulations it is recommended that no tap should be more than two metres from the mixing valve.

**Maintenance**

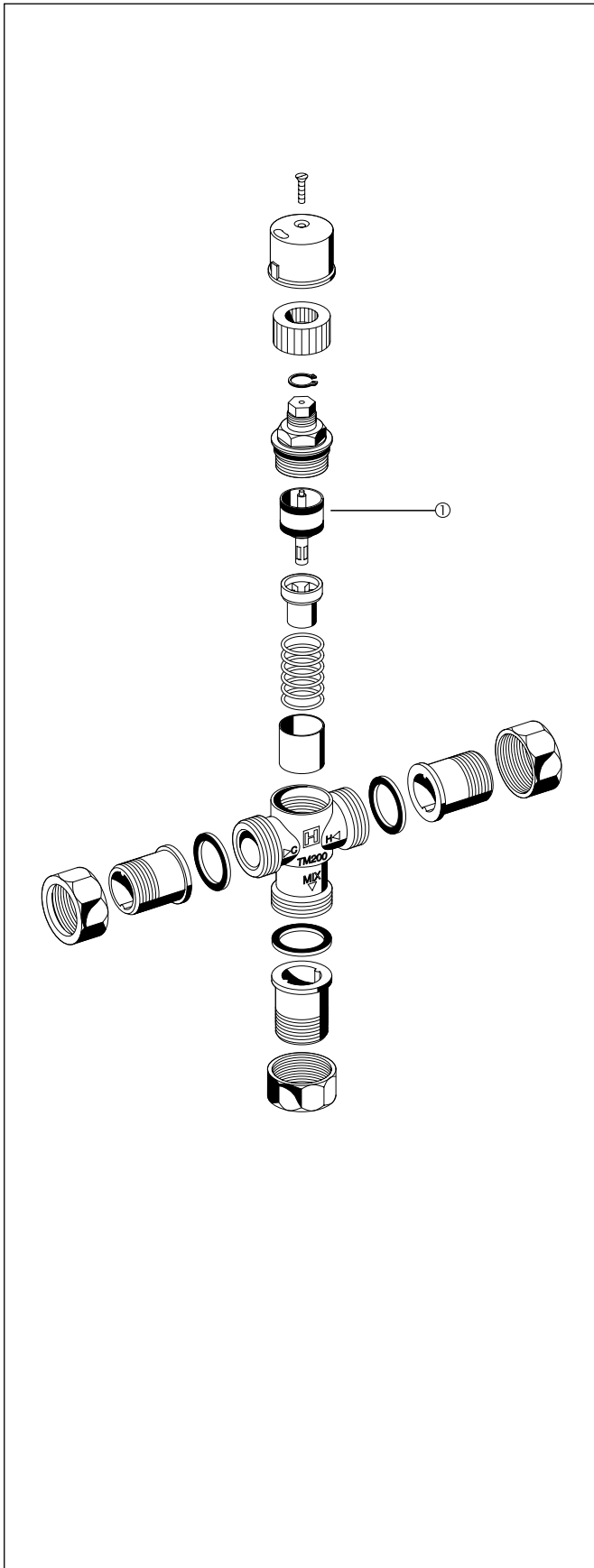
No specific maintenance is necessary under normal operating conditions. However, all moving parts which may be subject to wear can be exchanged. Take note if installed under a scheme that there may be additional requirements for annual testing and recording of results.

**Typical Applications**

TM200VP thermostatic mixing valves can be used within the limits of their specification for the control of hot water supply at a preset temperature.

Some typical applications are:

- Single and multiple-occupancy households
- Retirement homes
- Children's nurseries
- Schools
- Hotels
- Commercial kitchens
- Public washrooms



**Spare Parts for TM200VP Thermostatic Hot Water Mixing Valve  
(From 1996 onwards)**

| Description  | Part number  |
|--|--------------|
| ① Control piston with integral sensing element complete                | TM200A-35/46 |
| Retrofit Kit for 15mm valve where an existing valve is being replaced. | RK200        |
| Retrofit Kit for 22mm valve where an existing valve is being replaced. | RK200H       |

**Honeywell**

**Automation and Control Products**

Honeywell  
Arlington Business Park  
Bracknell, Berks  
RG12 1EB  
EN0H-1306GE23 R0305UK

Phone: (44) 1344 656000  
Fax: (44) 1344 656240  
email: [water.control@honeywell.com](mailto:water.control@honeywell.com)  
web: <http://www.honeywell.com/uk/homes/water.htm>

Subject to change