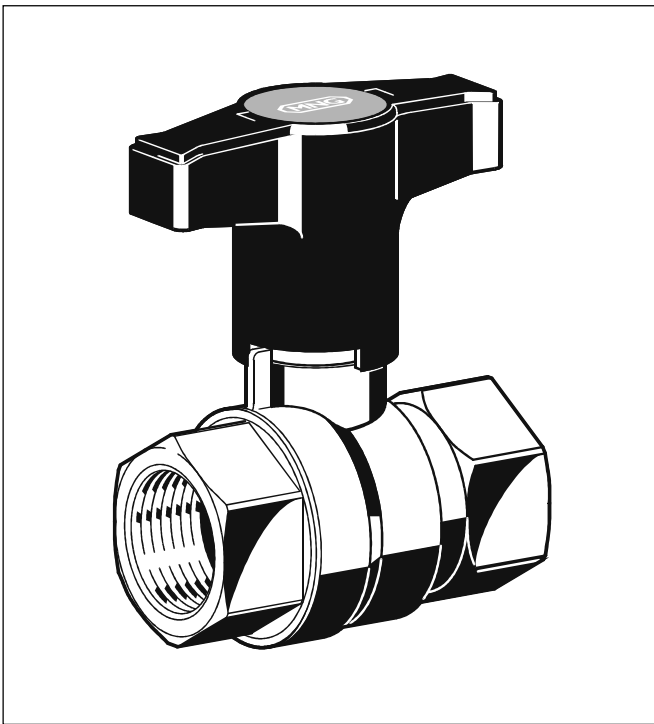


VB550 Stop-Ball BRASS BALLVALVE

PRODUCT DATA



Design

The Stop-Ball consists of:

- Valve housing with internal threads to ISO228/1
- Ball with sealing
- Hand lever/spindle assembly

Materials

- Valve housing made of brass
- Ball made of hard chrome-plated brass, with sealing rings made of PTFE
- Spindle made of brass with sealing ring made of PTFE, O-ring made of Viton and brass packing
- Lever for DN15-DN32 made of plastic, for DN40 and DN50 made of rubber-coated steel

Application

Stop-Ball ballvalves are used as shutoff valves in hydronic heating and cooling systems.

The straight body design enables easy operation, even when installed at places difficult to reach.

Features

- Valve body made of brass
- High flow rates
- Easy operation due to straight body design
- Available from DN15 to DN50

Specifications

Medium	Water or water-glycol mixture		
Operating temperature	2...130°C (36...266°F)		
Operating pressure	max. 16 bar (232 psi)		
k_{vs} (cv)-values	DN15	14,8	(17,3)
	DN20	36,0	(42,1)
	DN25	70,0	(81,9)
	DN32	112	(131)
	DN40	202	(236)
	DN50	288	(337)

Function

Ballvalves have a ball with a bore hole inside the valve housing. When the valve is open the medium flows through this bore. When the valve is closed by turning the lever by 90° the ball is turned accordingly. The valve opening is closed as the bore then lies crosswise to the valve opening. The pipeline is shutoff.

Dimensions and Ordering Information

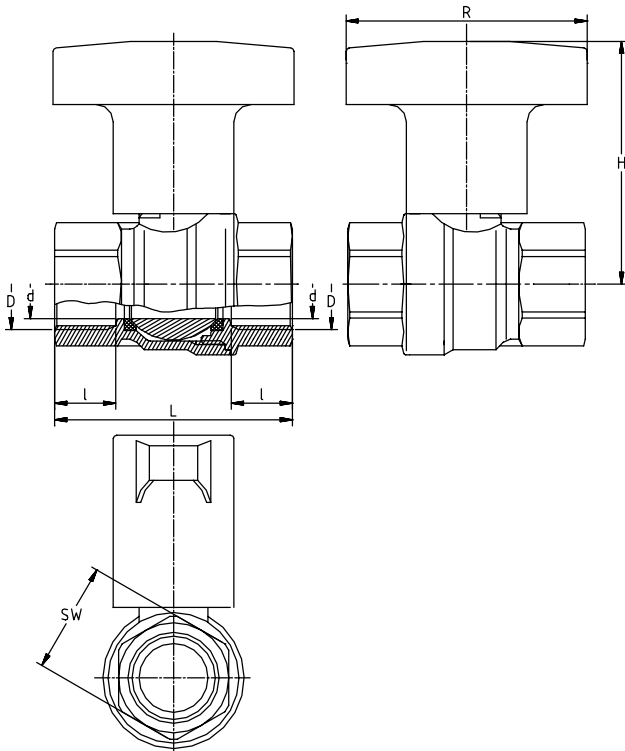


Fig. 1. Stop-Ball DN15 to DN32

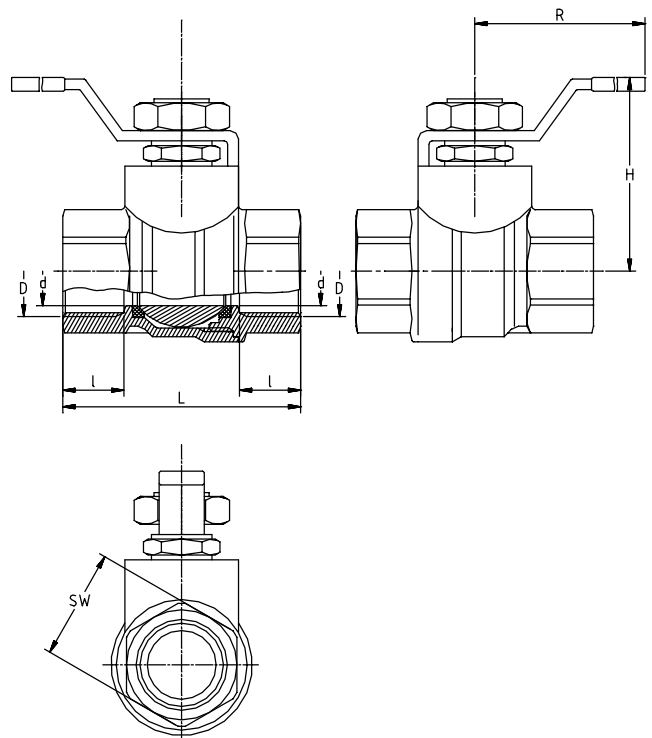


Fig. 2. Stop-Ball DN40 and DN50

Table 1. Dimensions and OS-Nos. (OS=Order System)

DN (=d)	k_{vs} (cv)-value	D	H	I	L	R	SW	OS-No.
15	14,8 (17,3)	G1/2"	69	12,0	49,5	80	27	VB550Y0015
20	36,0 (42,1)	G3/4"	74	13,0	58,0	80	32	VB550Y0020
25	70,0 (81,9)	G1"	80	14,0	68,0	80	41	VB550Y0025
32	112 (131)	G1 1/4"	85	16,5	81,0	80	50	VB550Y0032
40	202 (236)	G1 1/2"	82	17,5	93,5	150	55	VB550Y0040
50	288 (337)	G2"	89	19,0	109,0	150	70	VB550Y0050

NOTE: All dimensions in mm unless otherwise stated.

Honeywell

Control Products

Honeywell AG
Zu den Ruhrwiesen 3
D-59755 Arnsberg-Neheim

Phone: (49) 2932 9880
Fax: (49) 2932 988239
mng@honeywell.com

<http://europe.hbc.honeywell.com>