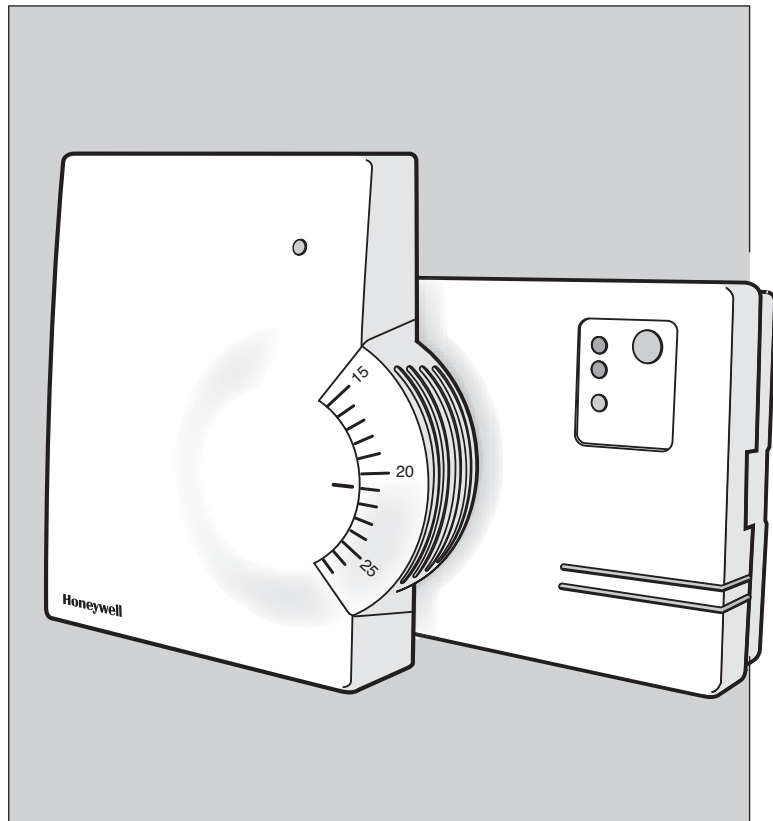


WIRELESS ROOM THERMOSTAT

Y6630D

FEATURES

- Simple dial for temperature setting
- LED indication of battery status and RF signal
- Solid state temperature sensing
- 'ON' LED indication
- No programming
- Range stop function
- Pre-bound wireless thermostat and receiver
- RF communication check
- Battery powered (with low power indicator)
- Volt free connections
- Supplied ready for use



APPLICATION

The Y6630D is a battery powered Wireless Room Thermostat and mains powered HC60NG Receiver Box, pre-bound to give intelligent room temperature control of a single zone.

It can be used in conjunction with the Sundial Y or S Plan or as a stand alone device for room temperature control of a combi boiler system.

The HC60NG receiver can be wired directly to motorised zone valves or actuators.

HEATING CONTROLS

Honeywell

Installation

The **HCW80** Thermostat and **HC60NG** Receiver Box are radio frequency devices and for best performance should be installed in clear spaces. Leave at least 30cm distance from any metal objects including wall boxes and at least 1m from any other electrical equipment e.g. radio, TV or computer etc. **Do not mount on metal wall boxes.**

The thermostat must be located where it is not subjected to extraneous heat gains, direct sunlight or draughts.

Ordering Wireless Specification

Y6630D1007

Pre-bound Wireless Room Thermostat and Receiver Box complete with batteries, fixing screws and instructions

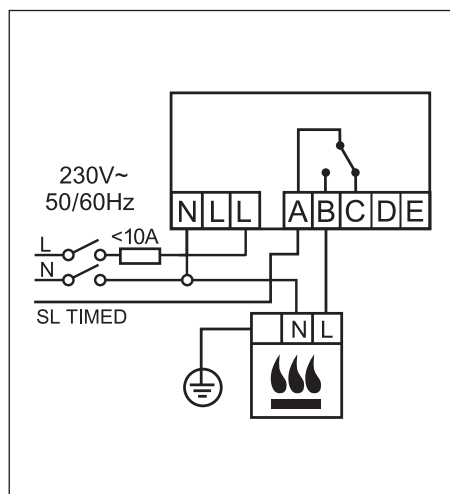
HCW80

Replacement Wireless Room Thermostat

R6660D1041

Replacement Receiver Box

Wiring



Specification

Power Supply	HC60NG	: 230VAC (+10 -15%), 50Hz
	HCW80	: 2 x AA size, LR6, 1.5V batteries
HC60NG Switch Rating		: 24 - 230VAC, 50Hz, 3A inductive, 10A resistive
Switch Type		: SPDT relay potential free <math><2.5\text{mm}^2</math>
Operating Temperature Range		: 10 to 40°C with Frost setting of 5°C
Humidity Range		: 0 to 90% RH, non-condensing
Storage Conditions		: -20 to 55°C : 0 to 90% RH, non-condensing
IP Rating		: IP30
RF Operation Band		: ISM (868.0 – 868.6) Mhz, 1% duty cycle
RF Communication Range		: <math><30\text{m}</math> in residential building
RF Communication Technology		: Short, high rate transmissions to minimise air time/avoid interference
RF Blocking Immunity		: Receiver Class 2
Standards		: Complies with BS EN60730-1 (1995), BS EN55014-1(1997), EN55014-2 (1996), ETSI EN300 220-3 (2000), ETSI EN301 489-3 (2000)

Dimensions (mm)

