

Y6630D1007

PRE-CONFIGURED WIRELESS ROOM THERMOSTAT

PRODUCT DATA



FEATURES

- Pre-Configured Kit means the room unit HCW80 and relay module HC60NG are already taught-in (bounded)
- Easy installation plug and play because the pre-configuration
- Room unit HCW80 with simple analogue user interface with absolute setpoint temperature scale 10-30°C and frost protection symbol * 5°C
- HCW80 simulates mechanical thermostat function by LED indication (ON/OFF)
- Limitation of adjustment range mechanical stop
- Indication of battery status LED flashing before battery power is lost
- No programming
- Simple binding operation to reduce installation time and costs only if single products are used
- RF communication check

GENERAL

The room unit HCW80 is used for intelligent room temperature control in combination with the relay module HC60NG. It can be used to control gas and oil boilers, variety of valves and actuators or electrical heating systems. No wiring to the room unit HCW80 is required.

Because of the simple HCW80 analogue user interface with absolute setpoint temperature scale the room setpoint temperature can be easily adjusted.

Reliable RF communication technology is used in the 868MHz frequency band.

The HCW80 and HC60NG are already taught-in (pounded). It is provided as Pre-Configured Kit for fast installation plug and play.

SPECIFICATIONS HC60NG

ELECTRICAL

Electrical voltage supply : 230V ~ , 50HZ, +10%, -15%

Switch type : SPDT potential free

Output rating : 24-230V~, 10A, resistive, inductive 0,6pf.

Wiring : Cable terminals for mains and relay wiring for max. 2,5mm² wire

RF Communication

Frequency : 868,3 MHz Receiver

Receiver class : 2

RF communication range : 30m in a residential building environment

RF communication : short, high rate transmission to

Technology : minimize air time and avoid collisions

ENVIRONMENTAL and STANDARDS

Storage temperature : -20 ... +55 °C

Operating temperature : 0 ... +40 °C when relay load <8A
0...+30 °C when relay load >8A

Dimensions (HxWxD) : 97 x 131 x 36 mm

Humidity : max. 0 ... 90 % non condensing

IP class : IP30

Approval : CE

SPECIFICATIONS HCW80

ELECTRICAL

Battery : 1,5 VDC, type LR06 AA

RF Communication

Frequency : 868,3 MHz Transmitter

RF communication range : 30m in a residential building environment

RF communication : short, high rate transmission to

Technology minimize air time and avoid collisions

ENVIRONMENTAL and STANDARDS

Storage temperature : -20 ... +70 °C

Operating temperature : 0 ... +50

Dimensions (HxWxD) : 99 x 98 x 99 mm

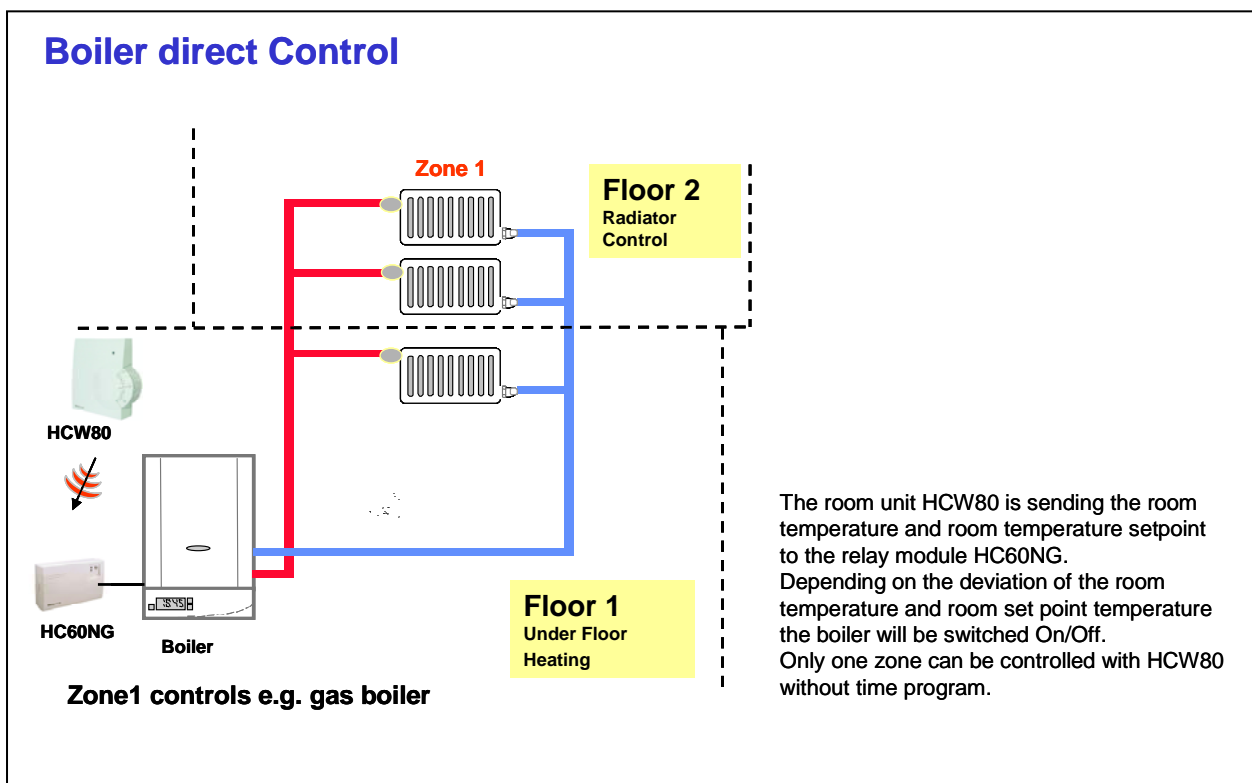
Humidity : max. 5 ... 90 % non condensing

IP class : IP30

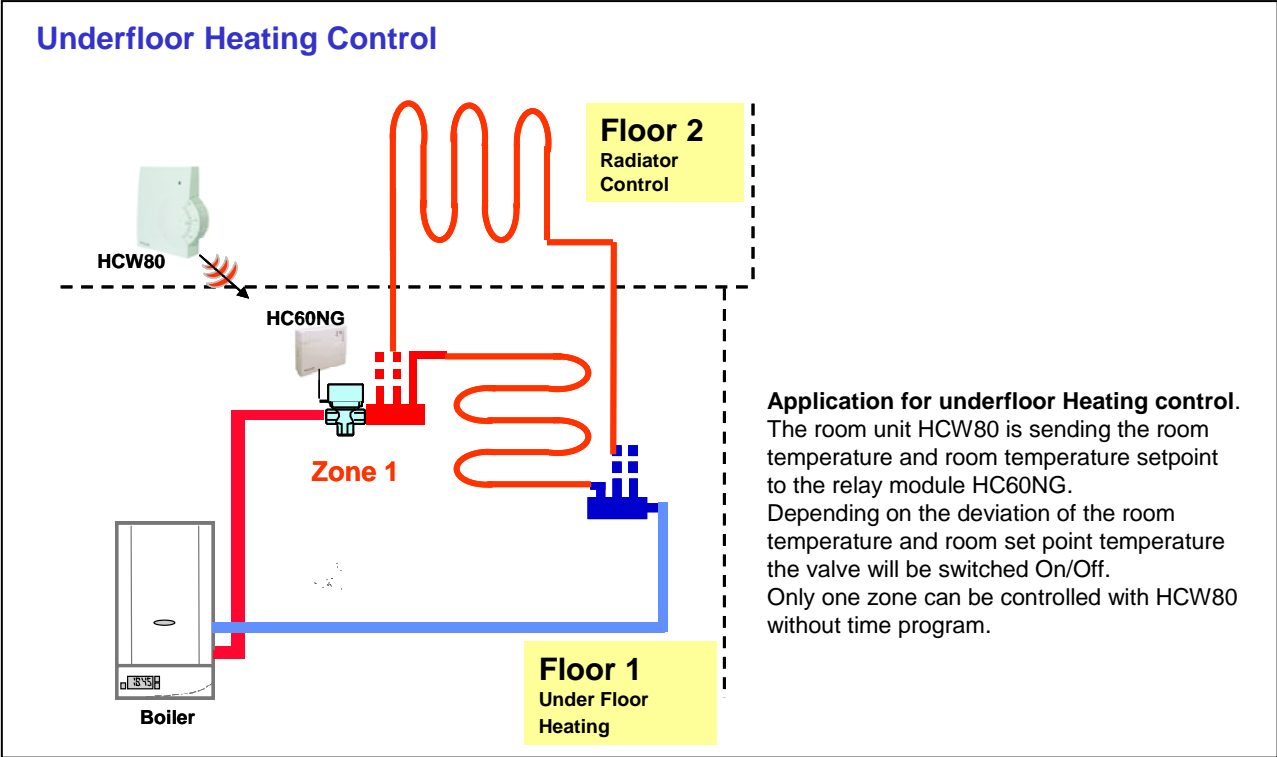
Approval : CE

Application EXAMPLES

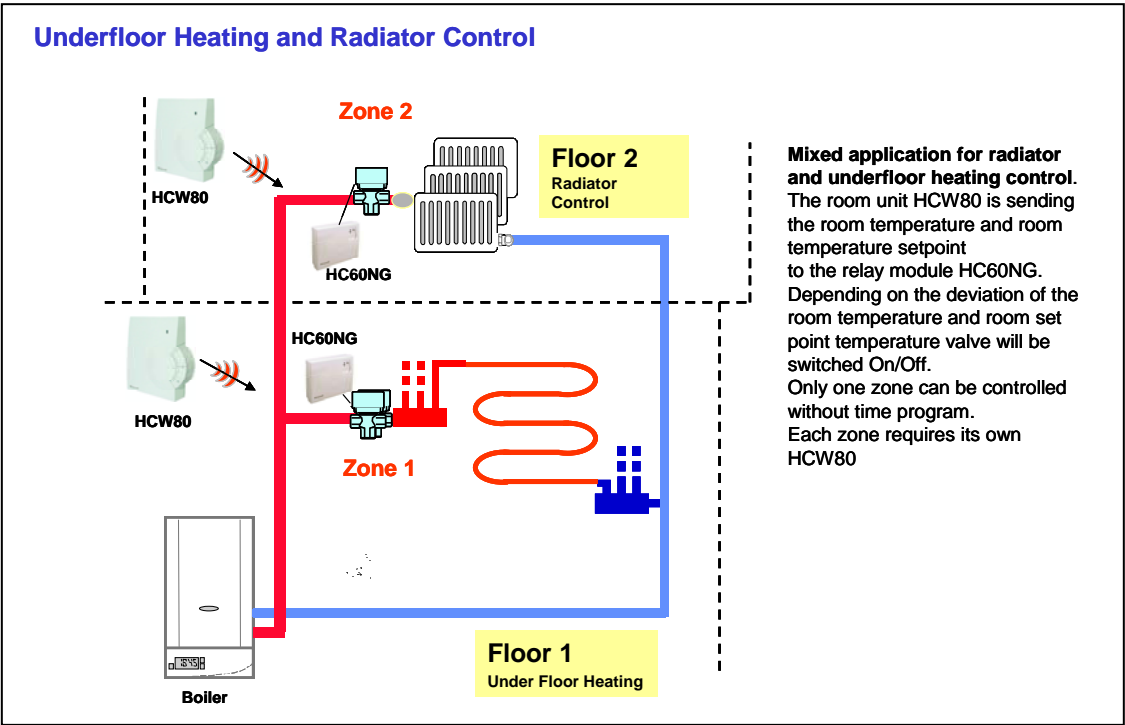
Application A



Application B

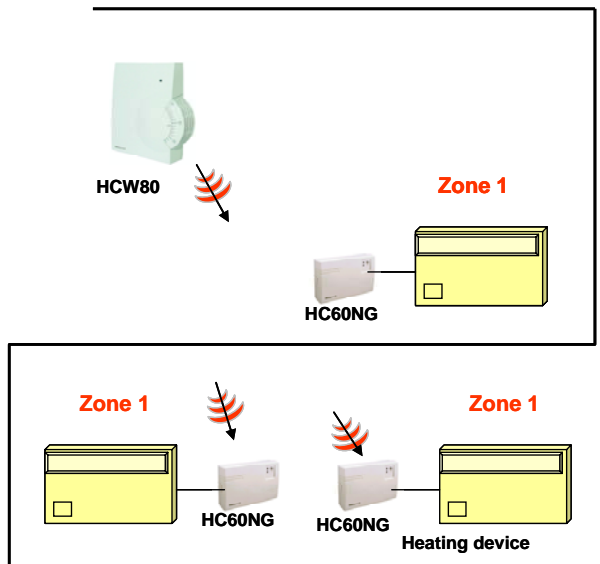


Application C



Application D

Electrical Heating Control



The room unit HCW80 is sending the room temperature and room temperature setpoint to the relay module HC60NG. Depending on the deviation of the room temperature and room set point temperature the relay will be switched On/Off. Only one zone can be controlled with HCW80 without time program.

Zone1 controls several electrical Heating devices



Automation and Control Solutions

Honeywell GmbH
Boebinger Strasse 17
D-71101 Schoenaich
Phone: (49) 7031 63701
Fax: (49) 7031 637493