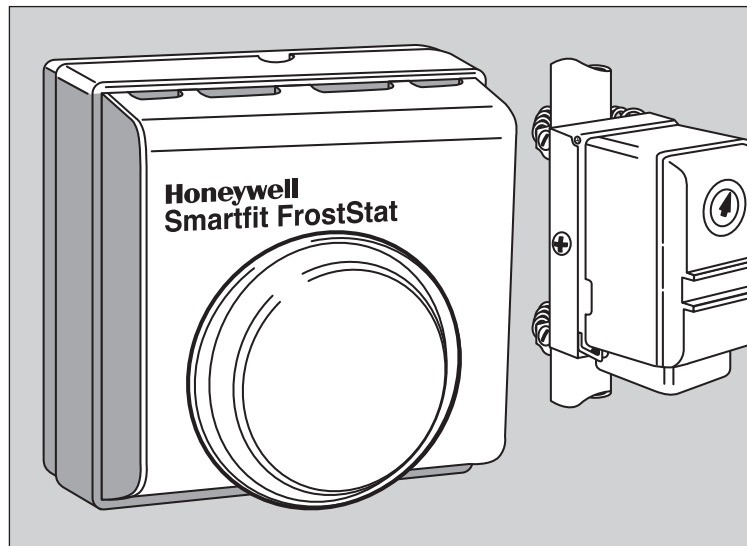


FROST PROTECTION KIT

K42009706-001

FEATURES

- Both air and water temperatures monitored
- Both devices have tamperproof caps to prevent tampering
- Low voltage
- Polarity free wiring
- Frost Thermostat may be wall box mounted or surface mounted
- Low limit Pipe Thermostat fits pipes 15 to 28mm diameter



APPLICATION

The Smartfit Frost Protection Kit is designed to give automatic energy efficient frost protection to central heating boilers and pipework situated in areas at risk of freezing as well as providing general protection for the fabric of the building.

The kit comprises a T8360B1008 Frost Thermostat and a T8675A1000 low limit Pipe Thermostat, forming a frost protection system for all applications.

■ Installation

The Frost Thermostat is installed in a boiler room, garage or attic (but NOT outside the building where it would be directly exposed to the weather).

The Frost Thermostat may be mounted either on a standard wall box or surface mounted and must be wired to the appropriate terminals in the Smartfit Base Unit.

The Pipe Thermostat is also installed to ensure that overheating of the property does not occur. The Pipe Thermostat should be sited on the boiler return pipe and held in position with two spring clips, suitable for fixing to pipes 15-28mm diameter and should be wired with heat resistant flexible cable rated at 85°C.

Terminal Connections to the Base Unit are polarity free.

Neither device requires mains power.

■ Ordering Specification

K42009706-001

Frost Protection Kit Consisting of:
Frost Thermostat
Pipe Thermostat
with installation instructions

■ Specification

Frost Thermostat

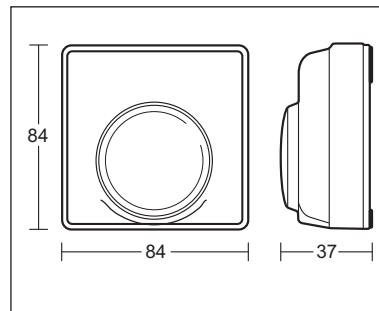
Voltage Rating	: 10V DC
Switch Rating	: 11mA Nominal (20mA peak)
Temperature Setting Range	: 3 to 20°C
Standards	: Complies with BS EN60730-2-9
EC Directive	: Conforms to 89/336/EEC & 73/23/EEC

Pipe Thermostat

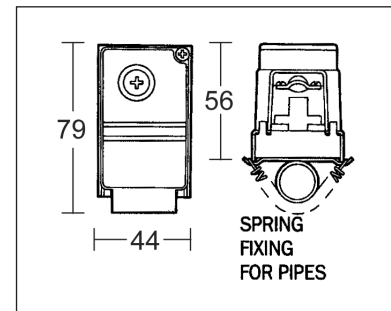
Voltage Rating	: 10V DC
Switch Rating	: 11mA Nominal (20mA peak)
Temperature Setting Range	: 10 to 40°C
Differential	: 10°C approximately, non adjustable
Temperature Sensing Element	: Bi-metal
Standards	: Complies with BS EN60730-2-7
EC Directive	: Conforms to 89/336/EEC & 73/23/EEC

■ Dimensions (mm)

Frost Thermostat



Pipe Thermostat



■ Wiring

